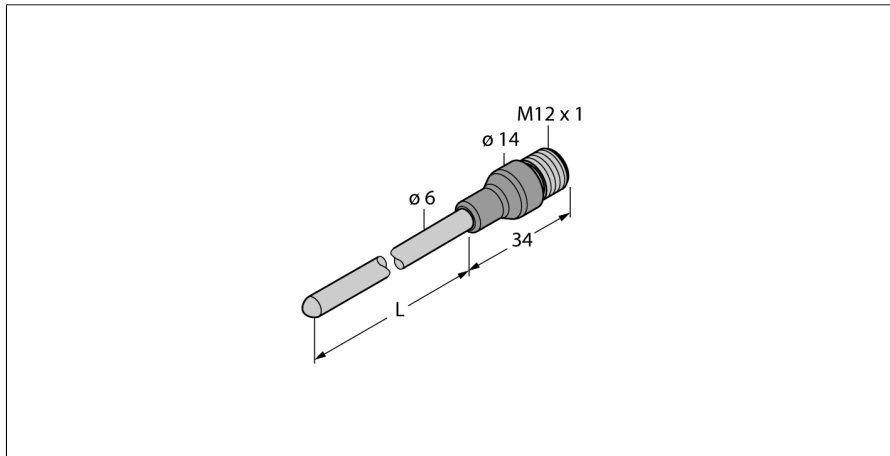


Temperature measurement
Probe
TP-206A-CF-H1141-L1000



- Pt-100 probe acc. to DIN EN 60751
- Vibration and shock-resistant
- Connectable to TS, TTM, IM34, BL20, BL67

Type code	TP-206A-CF-H1141-L1000
Ident-No.	9910493
Ident-No (TUSA)	M9910493
Response time	t 0.5 = 6 s / t 0.9 = 15 s in water at 0.2 m/s
Immersion depth (L)	1000 mm
Protection type and class	IP67
Ambient conditions	
Ambient temperature	-40...+120 °C
Pressure resistance	100 bar
Housing	
Sensor material	stainless steel, AISI 316L
Process connection	for compression fittings, thermowells or direct mounting
Connection	male, M12, 4-pole
Pressure resistance	100 bar

**Temperature measurement
Probe
TP-206A-CF-H1141-L1000**

Accessories

Type code	Ident-No.	Description	Design
CF-M-6-G1/4-A4	9910483	Compression ferrule fittings for direct mounting of temperature probes	
CF-M-6-N1/4-A4	9910484	Compression ferrule fittings for direct mounting of temperature probes	
CF-M-6-M18-A4	9910525	Compression ferrule fittings for direct mounting of temperature probes	
CF-M-6-N1/2-A4	9910529	Compression ferrule fittings for direct mounting of temperature probes	
CF-M-6-G1/2-A4	9910530	Compression ferrule fittings for direct mounting of temperature probes	