

# Shaded Pole Unit Bearing Totally Enclosed

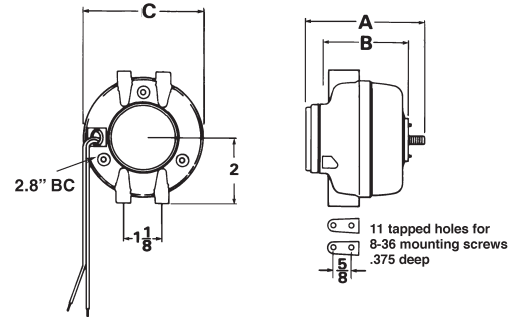


## APPLICATIONS:

Evaporator or condenser fan motors to meet manufacturer's requirements for refrigerated display cases and vending machines.

## FEATURES:

- Permanently Lubricated Bearings
- Individually Boxed
- Impedance Protected
- 6W & Under Are 60/50 Hertz Rated
- Suitable For All Angle Operation
- 24" Cord With Molded Strain Relief
- Cast Iron Housing
- Includes Vibration Dampener Hub Washer, Speed Nut, 4 Mounting Screws (2 to 35 watt)
- **Discount Symbol: DS-3HAC**



| HP    | RPM  | Voltage | Catalog Number | Amps | Shaft Rotation | Total A | Total B | Dia. C | Shaft Dia. & Length | Ship Wt. (lbs) | Industry Number |
|-------|------|---------|----------------|------|----------------|---------|---------|--------|---------------------|----------------|-----------------|
| 2.5 W | 1550 | 115     | 2102           | 0.3  | CWLE           | 3.8     | 3.4     | 3.6    | 1/4 x 20THD x 0.5   | 3              | 5111            |
| 4 W   | 1550 | 115     | 2115           | 0.3  | CWLE           | 3.8     | 3.4     | 3.6    | 1/4 x 20THD x 0.5   | 3              | 5211            |
|       | 1550 | 115     | 2103           | 0.3  | CCWLE          | 3.8     | 3.4     | 3.6    | 1/4 x 20THD x 0.5   | 3              | 5212            |
|       | 1550 | 230     | 2122           | 0.2  | CCWLE          | 3.8     | 3.4     | 3.6    | 1/4 x 20THD x 0.5   | 3              | 5222            |
|       | 1550 | 230     | 2123           | 0.2  | CWLE           | 3.8     | 3.4     | 3.6    | 1/4 x 20THD x 0.5   | 3              | 5221            |
| 5 W   | 1550 | 115     | 2119           | 0.6  | CWLE           | 3.8     | 3.4     | 3.6    | 1/4 x 20THD x 0.5   | 9              | PP7577M, D582   |
|       | 1550 | 115     | 2120           | 0.6  | CCWLE          | 3.8     | 3.4     | 3.6    | 1/4 x 20THD x 0.5   | 3              | D583            |
| 6 W   | 1550 | 115     | 2116           | 0.4  | CCWLE          | 4.3     | 3.8     | 3.6    | 1/4 x 20THD x 0.5   | 3              | 5312            |
|       | 1550 | 115     | 2117           | 0.4  | CWLE           | 4.3     | 3.8     | 3.6    | 1/4 x 20THD x 0.5   | 3              | 5311            |
| 9 W   | 1550 | 115     | 2118           | 0.6  | CCWLE          | 4.3     | 3.8     | 3.6    | 1/4 x 20THD x 0.5   | 4              | 5412            |
|       | 1550 | 115     | 2108           | 0.6  | CWLE           | 4.3     | 3.8     | 3.6    | 1/4 x 20THD x 0.5   | 3              | 5411            |
|       | 1550 | 230     | 2109           | 0.3  | CCWLE          | 4.3     | 3.8     | 3.6    | 1/4 x 20THD x 0.5   | 3              | 5422            |
|       | 1550 | 230     | 2110           | 0.3  | CWLE           | 4.3     | 3.8     | 3.6    | 1/4 x 20THD x 0.5   | 5              | 5421            |
| 16 W  | 1550 | 115     | 2111           | 1    | CCWLE          | 4.5     | 4.1     | 3.6    | 1/4 x 20THD x 0.5   | 4              | 5812            |
|       | 1550 | 230     | 2114           | 0.5  | CWLE           | 4.5     | 4.1     | 3.6    | 1/4 x 20THD x 0.5   | 5              | 5821            |
|       | 1550 | 230     | 2113           | 0.5  | CCWLE          | 4.5     | 4.1     | 3.6    | 1/4 x 20THD x 0.5   | 5              | 5822            |
|       | 1550 | 115     | 2112           | 1    | CWLE           | 4.5     | 4.1     | 3.6    | 1/4 x 20THD x 0.5   | 4              | 5811            |
| 25 W  | 1550 | 115     | 2124           | 1.1  | CCWLE          | 4.5     | 4       | 3.9    | 1/4 x 20THD x 0.5   | 5              | ESPL25EMR1      |
|       | 1550 | 115     | 2125           | 1.1  | CWLE           | 4.5     | 4       | 3.9    | 1/4 x 20THD x 0.5   | 5              | ESPL25EM1       |
|       | 1550 | 230     | 2126           | 0.6  | CWLE           | 4.5     | 4       | 3.9    | 1/4 x 20THD x 0.5   | 5              | ESPL25EM2       |
|       | 1550 | 230     | 2127           | 0.6  | CCWLE          | 4.5     | 4       | 3.9    | 1/4 x 20THD x 0.5   | 5              | ESPL25EMR2      |
| 35 W  | 1550 | 115     | 2128           | 1.4  | CCWLE          | 4.5     | 4       | 3.9    | 1/4 x 20THD x 0.5   | 5              | ESPL35EMR1      |
|       | 1550 | 115     | 2129           | 1.4  | CWLE           | 4.5     | 4       | 3.9    | 1/4 x 20THD x 0.5   | 5              | ESPL35EM1       |
|       | 1550 | 230     | 2130           | 0.7  | CCWLE          | 4.5     | 4       | 3.9    | 1/4 x 20THD x 0.5   | 5              | ESPL35EMR2      |
|       | 1550 | 230     | 2131           | 0.7  | CWLE           | 4.5     | 4       | 3.9    | 1/4 x 20THD x 0.5   | 5              | ESPL35EM2       |
|       | 50 W | 1550    | 115            | 2132 | 1.7            | CCWLE   | 6.2     | 4.7    | 4                   | .375 x 1.5     | 6               |
| 1550  |      | 115     | 2133           | 1.7  | CWLE           | 7.2     | 5.7     | 4      | .375 x 1.5          | 6              | ESPOL50EM1      |
| 1550  |      | 230     | 2134           | 0.9  | CCWLE          | 8.2     | 6.7     | 4      | .375 x 1.5          | 6              | ESPOL50EMR2     |
| 1550  |      | 230     | 2135           | 0.9  | CWLE           | 9.2     | 7.7     | 4      | .375 x 1.5          | 7              | ESPOL50EM2      |

† All marks shown within this document are properties of their respective owners.



BRAKEMOTORS  
GENERAL PURPOSE SINGLE PHASE  
HVAC  
WASHDOWN  
AGRICULTURE  
COMMERCIAL PUMP MOTORS  
CLOSE COUPLED PUMP MOTORS  
FIRE PUMP MOTORS  
POOL & SPA MOTORS  
RESIDENTIAL WATER PUMP  
ELEVATOR GATE & DOOR  
VARIABLE SPEED MOTORS AND DRIVES