

## Three Phase VariTough® Inverter Duty Commercial Condenser Fan, Open Air Over

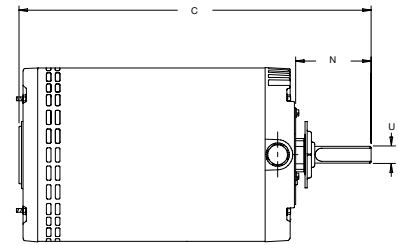


### APPLICATIONS:

For use on condenser cooling fans in commercial air conditioning applications, where 3 phase power and variable frequency drives (VFD's) are required.

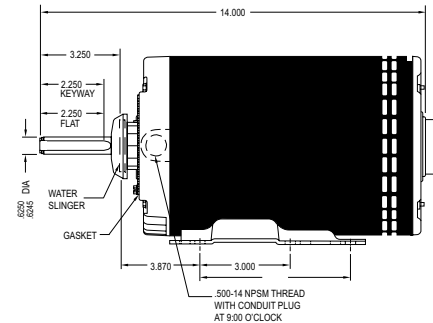
### FEATURES:

- Inverter Duty
- Designed to NEMA MG1-Part 31
- Open Drip Proof, Shaft-Up Design
- 70°C Ambient
- Continuous Duty, Air Over
- Double Sealed Ball Bearings
- Includes Shaft Ground Ring
- Patented Voltage Change Device
- Lock Bearing System OSE
- Class F Insulation
- Reversible Rotation
- Thermostat Temperature Protection
- **Discount Symbol: DS-3HAC**



### Belly Band Mount

HP	RPM	Voltage	Catalog Number	NEMA Frame	Amps	Shaft N	Shaft U	Total C	Ship Wt. (lbs)
1	825	208-230/460	1830VG	56YZ	5.2-5.2/2.6	3.25	0.625	13.6	43
	850	208-230/460	1828VG	56YZ	5.0-5.0/2.5	6.00	0.625	16.8	32
	1140	208-230/460	1818VG	56YZ	4.3-4.3/2.1	6.00	0.625	15.8	32
1 1/2	850	208-230/460	1832VG	56YZ	7.2-7.2/3.6	3.50	0.625	15.8	63
	1140	208-230/460	1819VG	56YZ	5.3-5.3/2.6	6.00	0.625	16.3	43
2	1140	208-230/460	8987VG	56YZ	7.8-7.8/3.9	6.00	0.625	16.8	48



### Rigid Base Mount

HP	RPM	Voltage	Catalog Number	NEMA Frame	Amps	Shaft N	Shaft U	Total C	Ship Wt. (lbs)
1/2	575	230/460	1139VG	56YZ	3.1/1.6	3.6	0.625	14.4	44
1	850	208-230/460	1833VG	56YZ	5.0-5.0/2.5	6.0	0.625	16.8	42
	1140	208-230/460	1820VG	56YZ	4.3-4.3/2.1	6.0	0.625	15.8	38
1-1/2	850	208-230/460	1831VG	56YZ	7.2-7.2/3.6	3.5	0.625	15.8	63
	1140	208-230/460	1821VG	56YZ	5.3-5.3/2.6	6.0	0.625	16.3	44
2	1140	208-230/460	1822VG	56YZ	7.8-7.8/3.9	6.0	0.625	16.8	48



"VG" catalog numbers. Includes Shaft Grounding Ring.