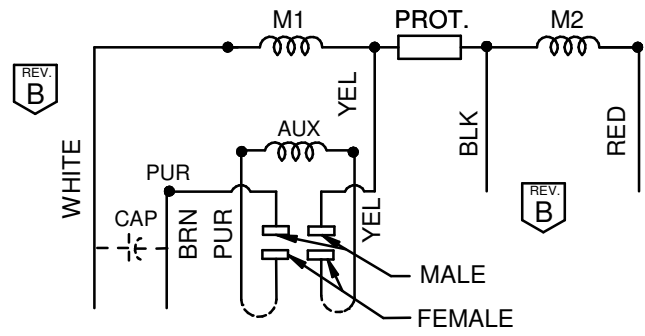
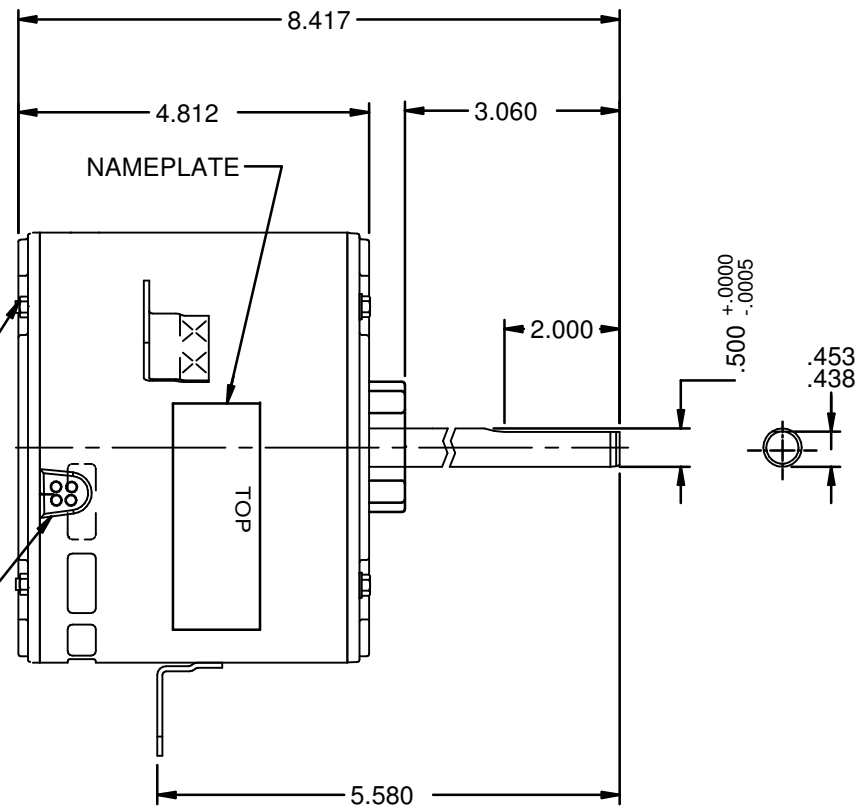


#18 GREEN/YELLOW STRIPES
GROUND LEAD TO BE 16.000±1.000
BETWEEN CENTERS OF TERMS.
TERMINALS TO FIT .250 EYELET

(4) LEADS #18, 2/64 THICK TO
EXTEND BEYOND MOTOR: BRN=45.000 +1-1,
WHITE=45.000 +1-1, BLACK=45.000 +1-1,
RED=45.000 +1-1 WITH 1/4 FLAG Q.C.
TERMINALS



NIDEC MOTOR CORPORATION 06-Sep-17

MODEL	REF	CUSTOMER	HP	VOLTS	AMPS	HZ	RPM	ROTATION	CUSTOMER PN
K55HXRAE-1799	C38438-2	WHOLESALE - HAC	1/3	208-230	2.0	60	1075/2 SPD	CCW LEAD END REV	1354

SHEET NUMBER	REV	REVISION RECORD FOR: ECO E29630	
1 OF 1	B	DELETED THE STAMPING IN THE WHITE, BLK & RED LEADS ON DIAGRAM OF CONNECTION.	
REVISION DATE			
06-SEP-17			

INFORMATION DISCLOSED ON THIS DOCUMENT IS CONSIDERED PROPRIETARY AND SHALL NOT BE REPRODUCED OR DISCLOSED WITHOUT WRITTEN CONSENT OF NIDEC MOTOR CORPORATION

NIDEC MOTOR CORPORATION

ISSUED BY	REVIEWED BY	ENGINEER APPROVED
G. MEDINA	J. I. SALAZAR	M. LARGENT

TITLE			CODE	ITEM NO.	SIZE
ASSEMBLED VIEW			V01	800770	A