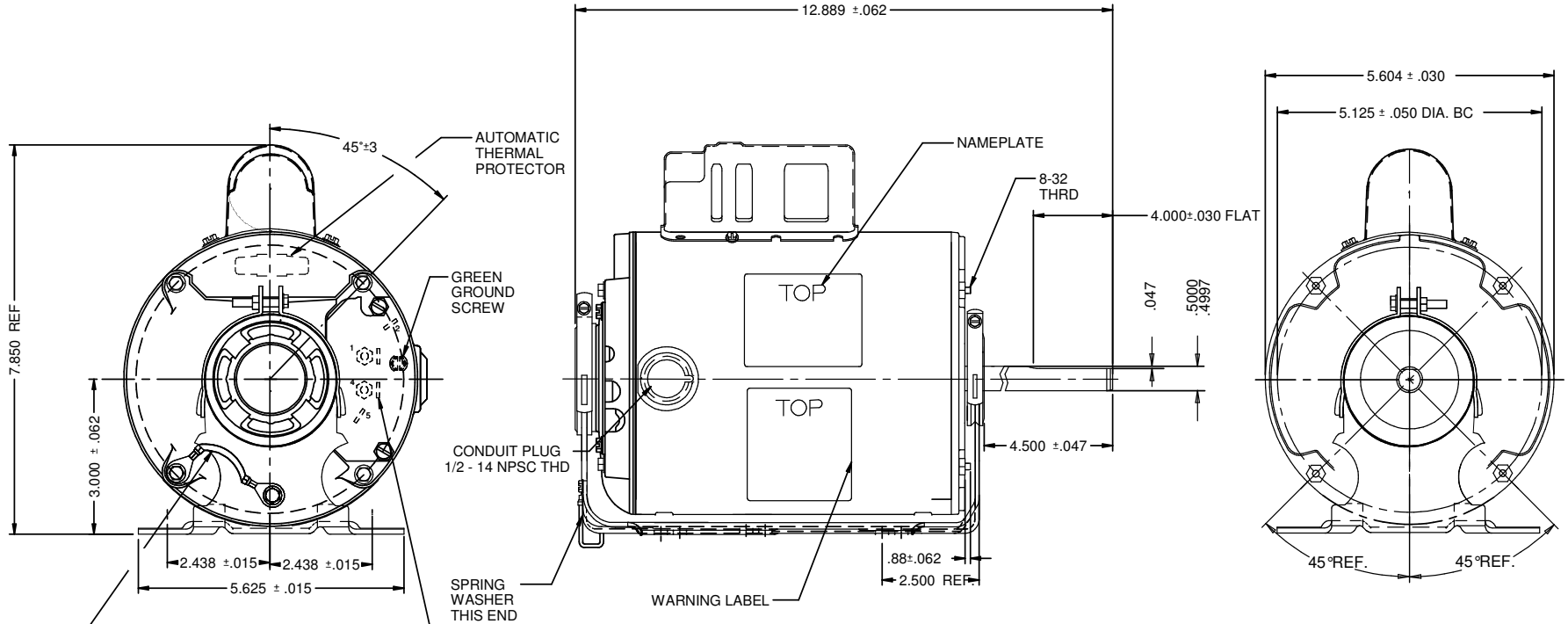
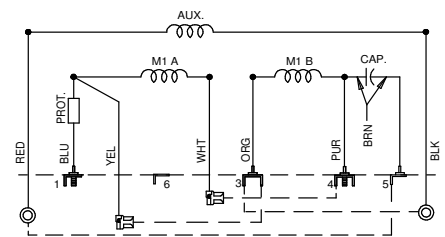


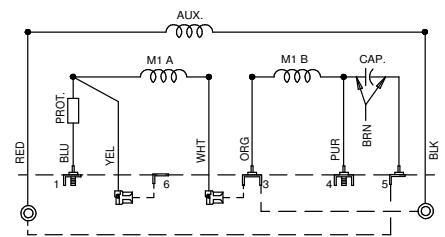
MODEL	REF	CUSTOMER	HP	VOLTS	AMPS	HZ	RPM	ROTATION	CAT. NO.	DESCRIPTION / REMARKS
K55HXRJL-1991	A33472	NIDEC MOTOR CANADA	1/4	115/230	2.5/1.3	60	1725	C.CW. LEAD END REV	1255	



#16 GREEN/YEL GRUND LEAD TO BE 6.000 ± .250 BETWEEN CENTER OF TERMINAL ATTACHED TO BASE.



LOW VOLTAGE



HIGH VOLTAGE

NIDEC MOTOR CORPORATION 13-Mar-19

REVISION RECORD FOR:	ECO E33993
CHANGED ROTATION IN PAG 2	
ISSUED BY:	J. ALVARADO
ENGINEER APPROVED:	M. DE LEON

TOLERANCES ON DIMENSIONS (UNLESS OTHERWISE SPECIFIED)	
INCHES	mm
.XX = ± .010	
.XXX = ± .005	
ANGLES X° = ±1°	

NIDEC MOTOR CORPORATION			
INFORMATION DISCLOSED ON THIS DOCUMENT IS CONSIDERED PROPRIETARY AND SHALL NOT BE REPRODUCED OR DISCLOSED WITHOUT WRITTEN CONSENT OF NIDEC MOTOR CORPORATION			
TITLE			REVISION DATE:
CUSTOMER DETAIL DRAWING			13-MAR-19
CODE	ITEM NO.	REV	SHEET NUMBER
V02	804047	B	1 OF 3
DWG SIZE			DWG SIZE
B			B