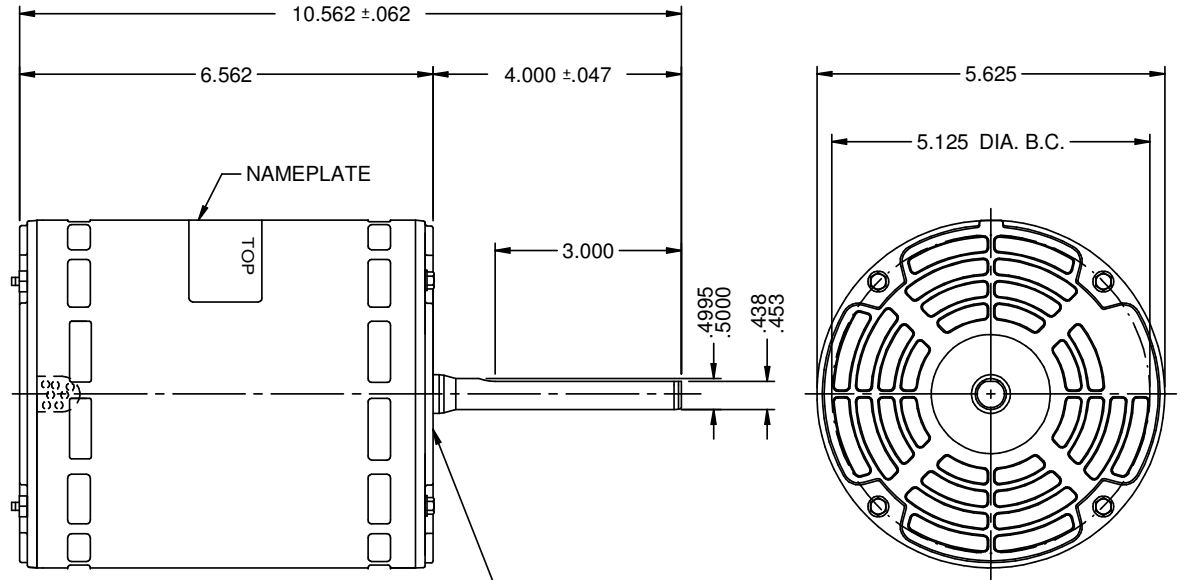
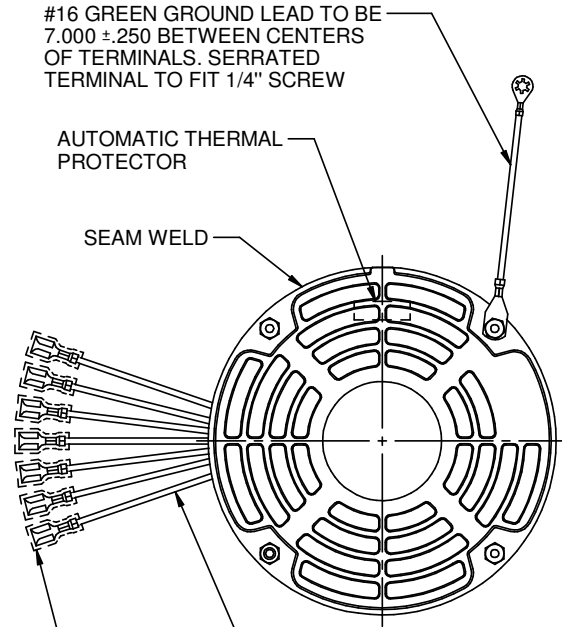


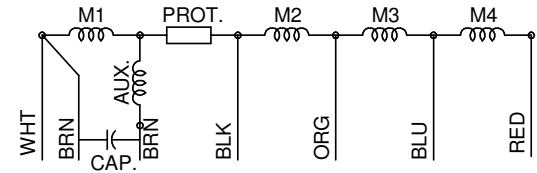
MODEL	REF.	CUSTOMER	HP	VOLTS	AMPS	HZ	RPM	ROTATION	CATALOG NO.	DESCRIPTION / REMARKS
K55HXSST-7211	A-21332	STANDARD	3/4	115	11.9	60	900/4 SPD	CCW LEAD END	1125	



(7) LEADS, #18, .031 THICK INSUL. TO EXTEND BEYOND MOTOR:
 BLK= 31.000 +1-1, RED= 31.000 +1-1,
 BLU= 31.000 +1-1, WHT= 31.000 +1-1.
 ORG= 31.000 +1-1, BRN= 22.000 +1-1,
 BRN= 22.000 +1-1

(7) .250 STRAIGHT TYPE Q.C. TERMINALS WITH HEAT SHRINK TUBING OVER TERMINALS

OIL SLING TO BE PLACED IN OPERATING POSITION AGAINST FACE OF BRG. HUB



NIDEC MOTOR CORPORATION 19-May-17

REFER TO S.E.I.M. 24-1

CREATED DRAWING:	REVISION RECORD FOR: ECO E28698
ISSUED BY: G. MEDINA	ENGINEER APPROVED: H. NAVARRO

DIMENSIONS ARE FOR REFERENCE ONLY

UNLESS TOLERANCE IS SPECIFIED

NIDEC MOTOR CORPORATION			
INFORMATION DISCLOSED ON THIS DOCUMENT IS CONSIDERED PROPRIETARY AND SHALL NOT BE REPRODUCED OR DISCLOSED WITHOUT WRITTEN CONSENT OF NIDEC MOTOR CORPORATION			
TITLE			REVISION DATE:
CUSTOMER DETAIL DRAWING			17-MAY-17
CODE	ITEM NO.	REV	SHEET NUMBER
V02	815691	-	1 OF 3
			DWG SIZE
			B