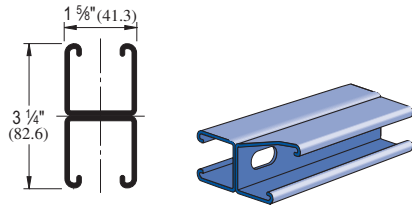


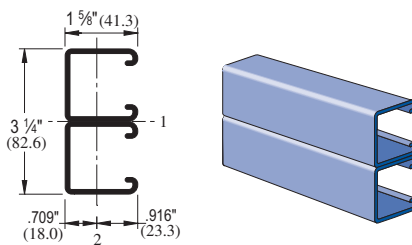
P1001 T

DF GR PG



Wt/100 Ft: 321 Lbs (478 kg/100 m)
 Allowable Moment 12,200 In-Lbs (1,378 N·m)
 12 Gauge Nominal Thickness .105" (2.7mm)

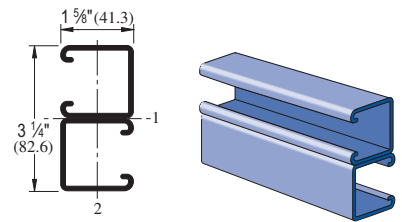
P1001 A



Wt/100 Ft: 378 Lbs (562 kg/100 m)
 Allowable Moment 18,640 In-Lbs (2,110 N·m)
 12 Gauge Nominal Thickness .105" (2.7mm)

P1001 B

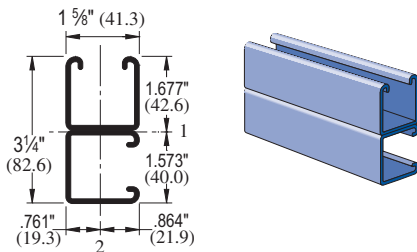
GR PG



Wt/100 Ft: 378 Lbs (562 kg/100 m)
 Allowable Moment 18,640 In-Lbs (2,110 N·m)
 12 Gauge Nominal Thickness .105" (2.7mm)

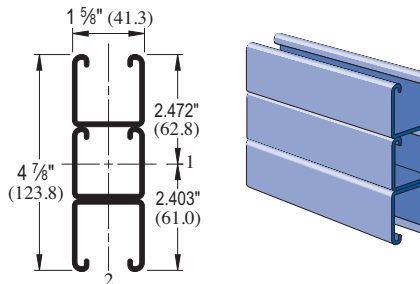
P1001 C

GR PG



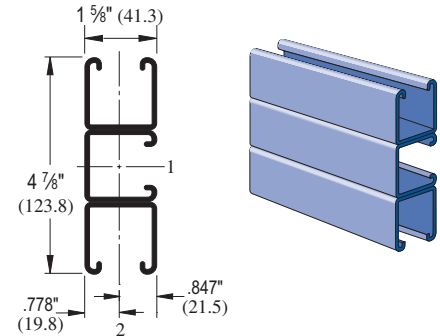
Wt/100 Ft: 378 Lbs (562 kg/100 m)
 Allowable Moment 15,950 In-Lbs (1,800 N·m)
 12 Gauge Nominal Thickness .105" (2.7mm)

P1001 3



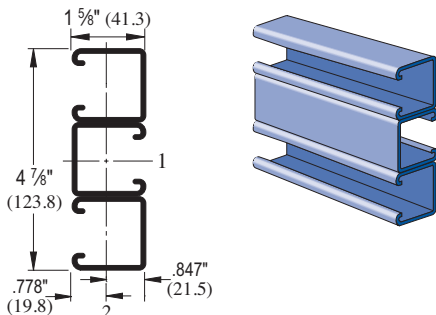
Wt/100 Ft: 566 Lbs (843 kg/100 m)
 Allowable Moment 31,840 In-Lbs (3,600 N·m)
 12 Gauge Nominal Thickness .105" (2.7mm)

P1001 A3



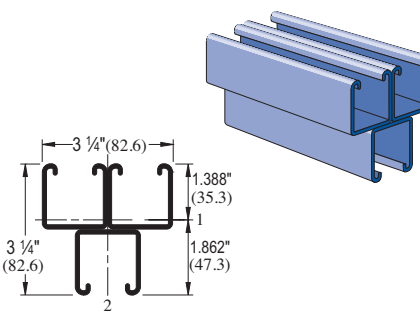
Wt/100 Ft: 566 Lbs (843 kg/100 m)
 Allowable Moment 32,770 In-Lbs (3,700 N·m)
 12 Gauge Nominal Thickness .105" (2.7mm)

P1001 B3



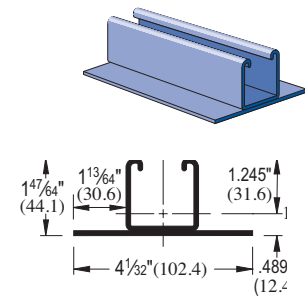
Wt/100 Ft: 566 Lbs (843 kg/100 m)
 Allowable Moment 37,550 In-Lbs (4,240 N·m)
 12 Gauge Nominal Thickness .105" (2.7mm)

P1001 D3



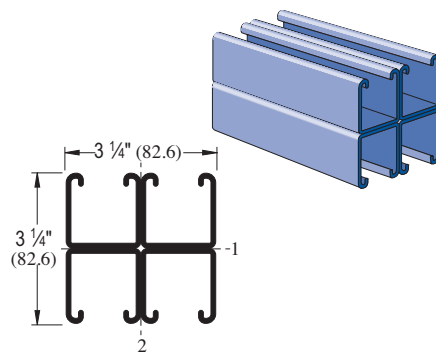
Wt/100 Ft: 566 Lbs (843 kg/100 m)
 Allowable Moment 17,550 In-Lbs (1,980 N·m)
 12 Gauge Nominal Thickness .105" (2.7mm)

P1003



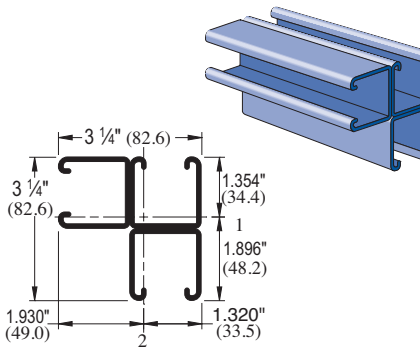
Wt/100 Ft: 333 Lbs (495 kg/100 m)
 Allowable Moment 6,240 In-Lbs (700 N·m)
 12 Gauge Nominal Thickness .105" (2.7mm)

P1001 C41



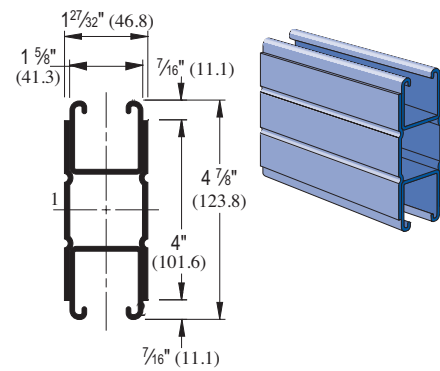
Wt/100 Ft: 755 Lbs (1,124 kg/100 m)
 Allowable Moment 28,720 In-Lbs (3,250 N·m)
 12 Gauge Nominal Thickness .105" (2.7mm)

P1001 C3



Wt/100 Ft: 566 Lbs (843 kg/100 m)
 Allowable Moment 18,680 In-Lbs (2,110 N·m)
 12 Gauge Nominal Thickness .105" (2.7mm)

P1004 A



Wt/100 Ft: 668 Lbs (994 kg/100 m)
 Allowable Moment 41,970 In-Lbs (4,740 N·m)
 12 Gauge Nominal Thickness .105" (2.7mm)

Channel Finishes: DF, PL, GR, HG, PG, ZD; Standard Lengths: 10' & 20'