

PH SERIES



PH SERIES

Wet Media Pressure Transducer

Installer's Specifications

Product:

Input Power	12 to 30 VDC/24 VAC
Output	3-wire transmitter; user selectable 4-20mA (clipped and capped)/0-5V/0-10V*
Accuracy	±1% F.S. Combined linearity, hysteresis, and repeatability
Surge Damping	Electronic; 5-second averaging
Test Mode	Overrides output to full-scale (20 mA, 5 V, 10 V)

Pressure Ranges:

0-100 psi	25/50/100 psig switch selectable
0-250 psi	62.5/125/250 psig switch selectable
0-500 psi	125/250/500 psig switch selectable
0-1000 psi	250/500/1000 psig switch selectable

Operating Environment	-10° to 55°C (-4° to 130°F); 0 to 90% RH, non-condensing
Long Term Stability	±0.25% per year

Zero Adjust Pushbutton auto-zero and digital input (2-pos terminal block)**

Status Indication	Dual-color LED: Green = Normal, Red = Overpressure, Flashing Red = Fault
Housing Material	White powder-coated steel

Sensor:

Media Compatibility	Media compatible with 17-4 PH stainless steel
Proof Pressure	Max. 2x F.S. range
Burst Pressure	Max. 5x F.S. range
Temperature Compensated Range	0° to 50°C (32° to 122°F)
Media Temperature Limits	-20° to 85°C (-4° to 185°F); 0 to 90% RH non-condensing
Fittings	1/4" NPT male thread, 17-4 PH stainless

* Minimum input voltage for 4-20 mA operation: 250 ohm loop (1-5V) = 12 VDC; 500 ohm loop (2-10V) = 15 VDC. Minimum input voltage for 0-10V operation: 15 VDC

** This feature is enabled only when the detected pressure is within 5% of factory calibration.

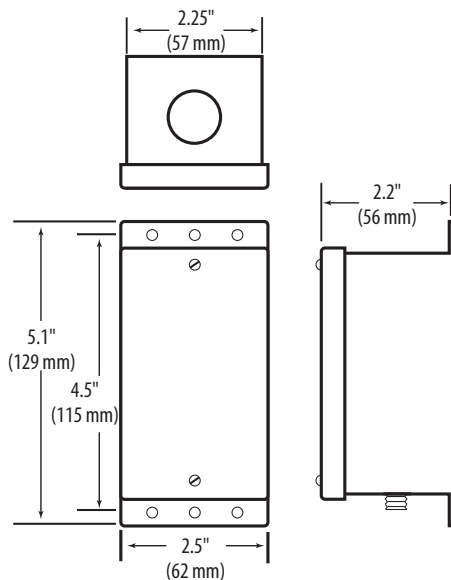
NOTICE

- This product is not intended for life or safety applications.
- Do not install this product in hazardous or classified locations.
- Read and understand the instructions before installing this product.
- Turn off all power supplying equipment before working on it.
- The installer is responsible for conformance to all applicable codes.

PRODUCT IDENTIFICATION

NIST	Range	
PH <input type="checkbox"/>	<input type="checkbox"/>	<input checked="" type="checkbox"/>
N = NIST	07 = 0-100 psig	= Standard
X = None	08 = 0-250 psig	
	09 = 0-500 psig	
	10 = 0-1000 psig	

DIMENSIONS



INSTALLATION

1. Connect transmitter to control system and power supply. PH Series are 3-wire sourcing type transmitters.

NOTICE

This product utilizes a half-wave rectifier power supply. If a transformer is to be used to power this product, the transformer must not be used to power other devices utilizing non-isolated full-wave power supplies. Failure to comply may result in reduced accuracy.

2. (Optional) Connect TARE (zero) terminals to digital output (contact closure) of control system.

NOTICE

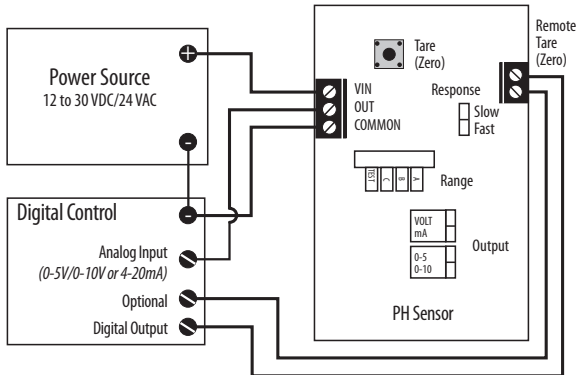
TARE input is for dry-contact. Do not apply voltage to TARE (zero) terminals. Failure to comply may result in equipment damage.

3. Use jumper JP1 to select voltage (V) or current (mA) mode.
4. Use jumper JP2 to select 0-10 V or 0-5 V output span (Voltage mode only).
5. Use jumper JP3 to select slow or fast mode. Slow mode provides 5-second averaging for surge dampening.
6. Select appropriate full-scale range using the slide switch.

OPERATION

The PH Series wet media pressure transducer can be used in any application compatible with 17-4 PH stainless steel. A unique retainer bracket design eliminates the requirement for a back-up wrench on the sensor fitting. PH models can handle overload pressure of 2x maximum full scale range. Burst pressure is 5x maximum full scale range.

WIRING



MODEL	RANGE		
	A	B	C
-100	25	50	100
-500	125	250	500
-1000	250	500	1000

CONFIGURATION

Test Mode

Test mode overrides output to full-scale, e.g., if the PH is configured for current (mA) operation, Test mode sets output to 20.0 mA. If configured for voltage (VDC) operation, Test mode sets output to 5.0 VDC or 10.0 VDC (depending on position of JP2 output span jumper).

Status LED

LED	Condition
Solid Green	Normal operation
Solid Red	Overpressure
Flashing Red	Other fault condition

TARE (Zero)

To automatically reset output to zero pressure, press and hold the TARE push-button for 2 seconds or provide contact closure on auxiliary REMOTE TARE terminal. To protect the unit from accidental tare, this feature is enabled only when the detected pressure is within 5% of factory calibration.