

Controls

Miniature Contactors - CWC Series

Front Auxiliary Contact Block

| | Number of Poles | Auxiliary contacts | | Mounting on | CWC3 Pole | Mounting on CWC4 Pole | | Mounting on Control Delay | | List Price | Multiplier Symbol |
|--|-----------------|--------------------|----|-------------|----------------|-----------------------|----------------|---------------------------|----------------|-------------|-------------------|
| | | NO | NC | Diagram | Cat. Number | Diagram | Cat. Number | Diagram | Cat. Number | | |
| | 2 | 2 | 0 | | BFC0-20 | | BFC4-20 | | BFCA-20 | \$15 | Z6 |
| | | 1 | 1 | | BFC0-11 | | BFC4-11 | | BFCA-11 | | |
| | | 0 | 2 | | BFC0-02 | | BFC4-02 | | BFCA-02 | | |
| | 4 | 4 | 0 | | BFC0-40 | | BFC4-40 | | BFCA-40 | \$26 | Z6 |
| | | 2 | 2 | | BFC0-22 | | BFC4-22 | | BFCA-22 | | |
| | | 0 | 4 | | BFC0-04 | | BFC4-04 | | BFCA-04 | | |
| | | 3 | 1 | | BFC0-31 | | BFC4-31 | | BFCA-31 | | |
| | | 1 | 3 | | BFC0-13 | | BFC4-13 | | BFCA-13 | | |

Note: Low consumption 24Vdc contactors can only use 2 poles auxiliary contact blocks

Mechanical Interlock Block

| | Catalog Number | List Price | Multiplier Symbol |
|---|----------------|-------------|-------------------|
| <ul style="list-style-type: none"> • Front Mounting • Mechanical interlock without width increase • Allows assembly of auxiliary contact blocks, surge suppressor and timing relay | BICO | \$10 | Z6 |


Surge Suppressor

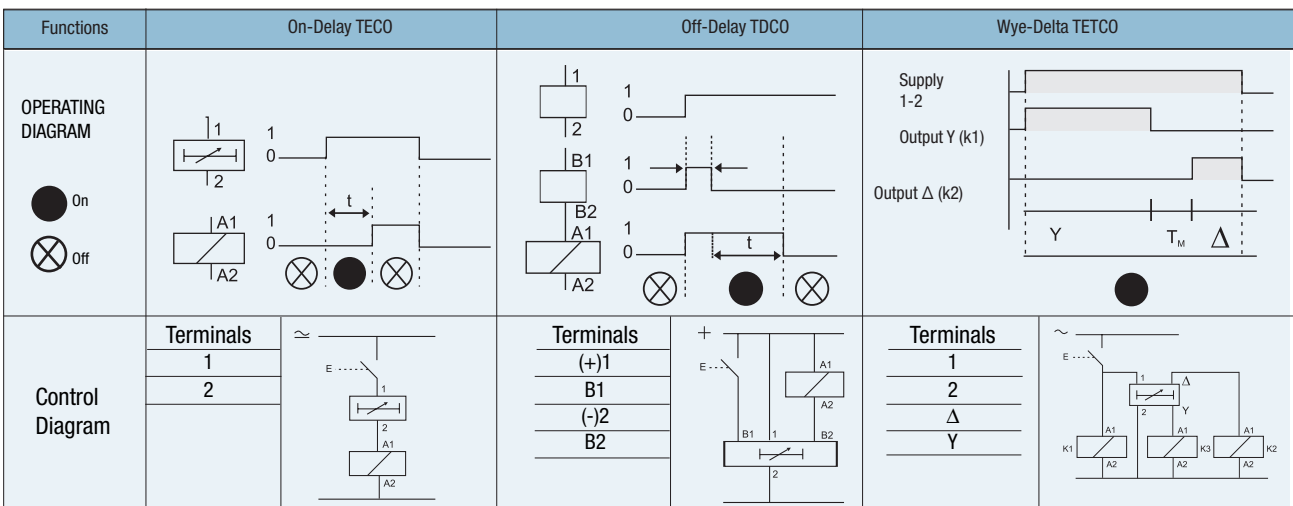
| | | | | | List Price | Multiplier Symbol |
|---|---------------|-------------------|----------------------------------|-------------------|---------------|-------------------|
| <ul style="list-style-type: none"> • Fast front mounting • Allows assembly with all other accessories | | | | | \$18 | Z6 |
| | RC TYPE | Catalog Number | VARISTOR | Catalog Number | DIODE | Catalog Number |
| | 12...24Vac | RCC0-1 D49 | 12 ... 48Vac 12 ... 60Vdc | VRC0-1 E01 | 12 ... 600Vdc | DIC0-1 C33 |
| | 24...48Vac | RCC0-2 D53 | 50... 127Vac 60 ... 180Vdc | VRC0-2 E34 | | |
| | 50...127Vac | RCC0-3 D55 | 130 ... 275Vac 180 ... 250Vdc | VRC0-3 E38 | | |
| | 130...2504Vac | RCC0-4 D63 | 277 ... 380Vac 300 ... 510Vdc | VRC0-4 E41 | | |
| | 275...380Vac | RCC0-5 D84 | 400 ... 510Vac | VRC0-5 D73 | | |
| | 400...510Vac | RCC0-6 D73 | | | | |

Controls

Miniature Contactors - CWC Series

Timing Relay

| Functions | Voltage | Timing | Catalog Number | List Price | Multiplier Symbol |
|--|----------------|--------------|---------------------------------|--------------|-------------------|
| On-Delay | 24-240Vac/Vdc | 0.3 to 3s | TECO-U003S-E05 | \$150 | Z6 |
| | | 1 to 10s | TECO-U010S-E05 | | |
| | | 3 to 30s | TECO-U030S-E05 | | |
| | | 6 to 60s | TECO-U060S-E05 | | |
| | | 10 to 100s | TECO-U100S-E05 | | |
| | | 30 to 300s | TECO-U300S-E05 | | |
| | | 180 to 1800s | TECO-U030M-E05 | | |
|  Off-Delay | 24-60Vac/Vdc | 0.3 to 3s | TDCO-U003S-E04 | \$150 | Z6 |
| | | 1 to 10s | TDCO-U010S-E04 | | |
| | | 3 to 30s | TDCO-U030S-E04 | | |
| | | 6 to 60s | TDCO-U060S-E04 | | |
| | | 10 to 100s | TDCO-U100S-E04 | | |
| | | 30 to 300s | TDCO-U300S-E04 | | |
| | | 180 to 1800s | TDCO-U030M-E04 | | |
| | 100-240Vac/Vdc | 0.3 to 3s | TDCO-U003S-E09 | | |
| | | 1 to 10s | TDCO-U010S-E09 | | |
| | | 3 to 30s | TDCO-U030S-E09 | | |
| | | 6 to 60s | TDCO-U060S-E09 | | |
| | | 10 to 100s | TDCO-U100S-E09 | | |
| | | 30 to 300s | TDCO-U300S-E09 | | |
| | | 180 to 1800s | TDCO-U030M-E09 | | |
| Wye-Delta | 24-28Vac | 3 to 30s | TETCO-U030S-D52 | \$130 | Z6 |
| | 110-130Vac | | TETCO-U030S-D61 | | |
| | 220-240Vac | | TETCO-U030S-D66 | | |








Controls

Miniature Contactors - CWC Series

Printed Circuit Board Connector

| | Catalog Number | List Price | Multiplier Symbol |
|---|----------------|-------------|-------------------|
|  <ul style="list-style-type: none"> • Each CIC0 comes with a set of two connectors • Mounting on contactor's top and bottom • No derating on contactor's rating | CIC0 | \$20 | Z6 |

Easy-Connection Busbar

| | Catalog Number | List Price | Multiplier Symbol | | | | | | | | | | | | | | | | | | | | | | | | | | | | | | |
|---|----------------|------------|-------------------|-------|------|------|------|-------|-------|----|---|-------|-------|-------|-------|-------|-------|-------|-------|--------|---|----|----|--------|---------------|-------------|-----------|----|--------|-------|----------------|-------------|-----------|
| <ul style="list-style-type: none"> • Quick and easy assembly for wye-delta and reversing starters • Allows assemble of overload relay RW17D, manual motor protector MPW25 and timer | | | | | | | | | | | | | | | | | | | | | | | | | | | | | | | | | |
| <p>Wye-Delta</p> <table border="1"> <thead> <tr> <th colspan="3">Rating (HP)</th> <th colspan="2"></th> </tr> <tr> <th>230V</th> <th>460V</th> <th>575V</th> <th>K1=K2</th> <th>K3</th> </tr> </thead> <tbody> <tr> <td>3</td> <td>7-1/2</td> <td>7-1/2</td> <td>CWC07</td> <td>CWC07</td> </tr> <tr> <td>5</td> <td>7-1/2</td> <td>10</td> <td>CWC09</td> <td>CWC07</td> </tr> <tr> <td>5</td> <td>10</td> <td>10</td> <td>CWC012</td> <td>CWC07</td> </tr> <tr> <td>7-1/2</td> <td>15</td> <td>15</td> <td>CWC016</td> <td>CWC09</td> </tr> </tbody> </table>  | Rating (HP) | | | | | 230V | 460V | 575V | K1=K2 | K3 | 3 | 7-1/2 | 7-1/2 | CWC07 | CWC07 | 5 | 7-1/2 | 10 | CWC09 | CWC07 | 5 | 10 | 10 | CWC012 | CWC07 | 7-1/2 | 15 | 15 | CWC016 | CWC09 | ECCO-SD | \$44 | Z6 |
| Rating (HP) | | | | | | | | | | | | | | | | | | | | | | | | | | | | | | | | | |
| 230V | 460V | 575V | K1=K2 | K3 | | | | | | | | | | | | | | | | | | | | | | | | | | | | | |
| 3 | 7-1/2 | 7-1/2 | CWC07 | CWC07 | | | | | | | | | | | | | | | | | | | | | | | | | | | | | |
| 5 | 7-1/2 | 10 | CWC09 | CWC07 | | | | | | | | | | | | | | | | | | | | | | | | | | | | | |
| 5 | 10 | 10 | CWC012 | CWC07 | | | | | | | | | | | | | | | | | | | | | | | | | | | | | |
| 7-1/2 | 15 | 15 | CWC016 | CWC09 | | | | | | | | | | | | | | | | | | | | | | | | | | | | | |
| <p>Reversing</p> <table border="1"> <thead> <tr> <th colspan="3">Rating (HP)</th> <th colspan="1"></th> </tr> <tr> <th>230V</th> <th>460V</th> <th>575V</th> <th>K1=K2</th> </tr> </thead> <tbody> <tr> <td>1-1/2</td> <td>5</td> <td>5</td> <td>CWC07</td> </tr> <tr> <td>3</td> <td>5</td> <td>7-1/2</td> <td>CWC09</td> </tr> <tr> <td>3</td> <td>7-1/2</td> <td>7-1/2</td> <td>CWC012</td> </tr> <tr> <td>5</td> <td>10</td> <td>10</td> <td>CWC016</td> </tr> </tbody> </table>  | Rating (HP) | | | | 230V | 460V | 575V | K1=K2 | 1-1/2 | 5 | 5 | CWC07 | 3 | 5 | 7-1/2 | CWC09 | 3 | 7-1/2 | 7-1/2 | CWC012 | 5 | 10 | 10 | CWC016 | ECCO-R | \$44 | Z6 | | | | | | |
| Rating (HP) | | | | | | | | | | | | | | | | | | | | | | | | | | | | | | | | | |
| 230V | 460V | 575V | K1=K2 | | | | | | | | | | | | | | | | | | | | | | | | | | | | | | |
| 1-1/2 | 5 | 5 | CWC07 | | | | | | | | | | | | | | | | | | | | | | | | | | | | | | |
| 3 | 5 | 7-1/2 | CWC09 | | | | | | | | | | | | | | | | | | | | | | | | | | | | | | |
| 3 | 7-1/2 | 7-1/2 | CWC012 | | | | | | | | | | | | | | | | | | | | | | | | | | | | | | |
| 5 | 10 | 10 | CWC016 | | | | | | | | | | | | | | | | | | | | | | | | | | | | | | |

Replacement Parts

| | Catalog Number | List Price | Multiplier Symbol | | | | | | | | | | | | | | | | | | | | | | | |
|--|----------------|------------|---------------------|---------------------|-------------|------------|------------|------------|-------|-----|------|----------|------|-------------|------------|------------|------------|------------|-------|---|------|---|----------|-----------------|-------------|-----------|
| <p>* DC COIL VOLTAGE CODE SELECTION</p> <table border="1"> <thead> <tr> <th>Vdc</th> <th>24V</th> <th>110V</th> <th>24V LOW CONSUMPTION</th> </tr> </thead> <tbody> <tr> <td>CODE</td> <td>C03</td> <td>C12</td> <td>L03</td> </tr> </tbody> </table> <p>Note: Other voltages upon request.</p> <p>+ AC COIL VOLTAGE CODE SELECTION</p> <table border="1"> <thead> <tr> <th>60 Hz</th> <th>24V</th> <th>120V</th> <th>208-240V</th> <th>480V</th> </tr> </thead> <tbody> <tr> <td>CODE</td> <td>V04</td> <td>V18</td> <td>V24</td> <td>V47</td> </tr> <tr> <td>50 Hz</td> <td>-</td> <td>110V</td> <td>-</td> <td>400-415V</td> </tr> </tbody> </table> | Vdc | 24V | 110V | 24V LOW CONSUMPTION | CODE | C03 | C12 | L03 | 60 Hz | 24V | 120V | 208-240V | 480V | CODE | V04 | V18 | V24 | V47 | 50 Hz | - | 110V | - | 400-415V | BRC-016* | \$35 | Z6 |
| Vdc | 24V | 110V | 24V LOW CONSUMPTION | | | | | | | | | | | | | | | | | | | | | | | |
| CODE | C03 | C12 | L03 | | | | | | | | | | | | | | | | | | | | | | | |
| 60 Hz | 24V | 120V | 208-240V | 480V | | | | | | | | | | | | | | | | | | | | | | |
| CODE | V04 | V18 | V24 | V47 | | | | | | | | | | | | | | | | | | | | | | |
| 50 Hz | - | 110V | - | 400-415V | | | | | | | | | | | | | | | | | | | | | | |