

DATA SHEET

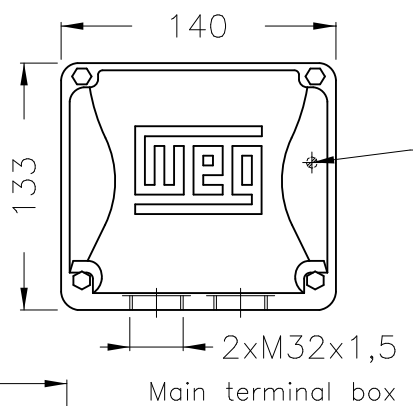


Three Phase Induction Motor - Squirrel Cage

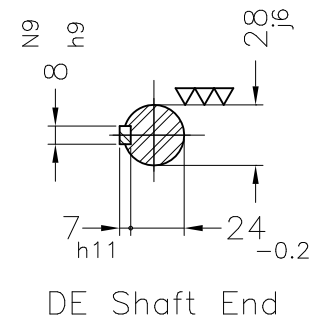
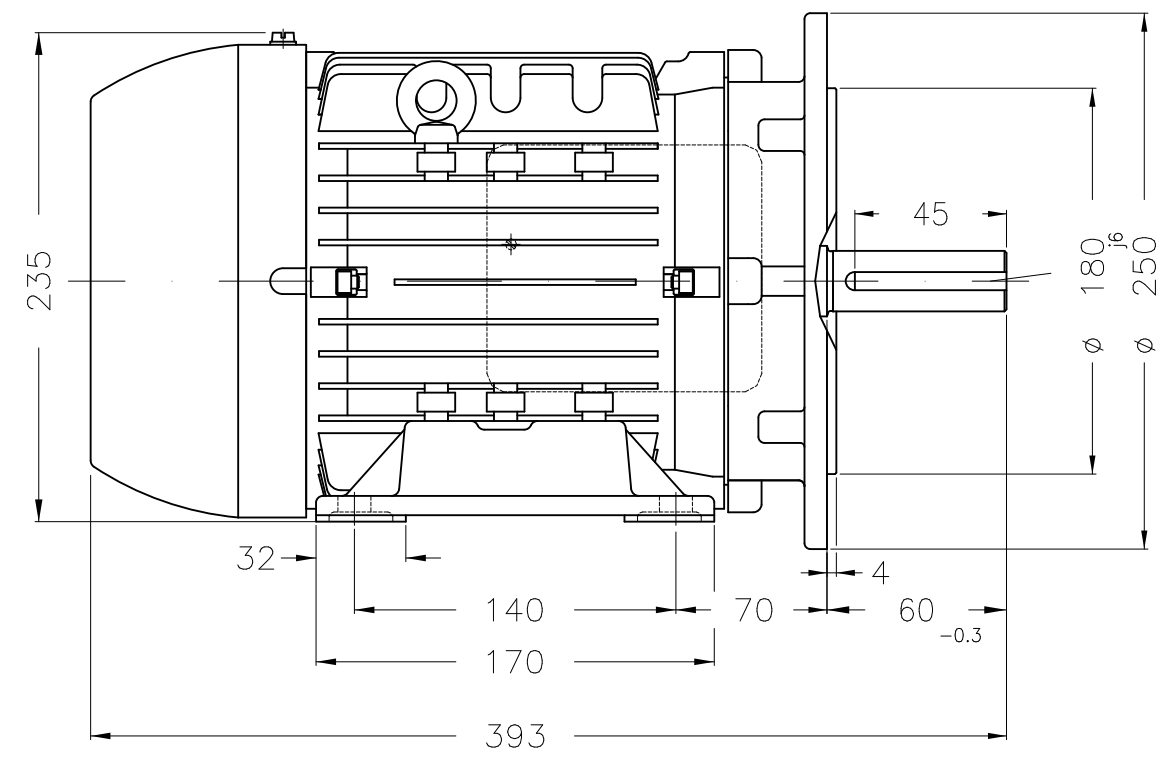
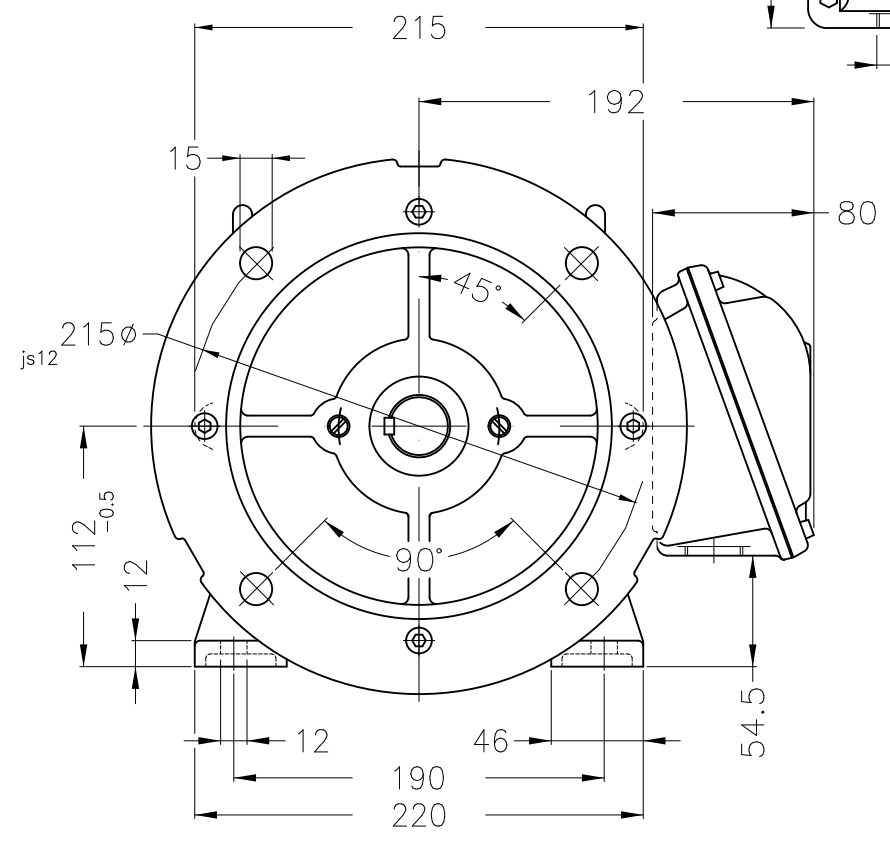
Customer :																			
Product line	: Multimounting IE3 Three-Phase																		
Product code :	14052065																		
Catalog # :	00436ET3YAL112MFF-W2																		
Frame : 112M Output : 5.5 HP (4 kW) Poles : 2 Frequency : 60 Hz Rated voltage : 460 V Rated current : 6.67 A L. R. Amperes : 63.4 A LRC : 9.5 No load current : 2.90 A Rated speed : 3515 rpm Slip : 2.36 % Rated torque : 1.14 kgfm Locked rotor torque : 280 % Breakdown torque : 440 % Insulation class : F Service factor : 1.25 Moment of inertia (J) : 0.0080 kgm ² Design : N	Locked rotor time : 28s (cold) 16s (hot) Temperature rise : 80 K Duty cycle : S1 Ambient temperature : -20°C to +40°C Altitude : 1000 m.a.s.l. Protection degree : IP55 Cooling method : IC411 - TEFC Mounting : B35L(E) Rotation ¹ : Both (CW and CCW) Noise level ² : 64.0 dB(A) Starting method : Direct On Line Approx. weight ³ : 38.8 kg																		
Output	25% 50% 75% 100%																		
Efficiency (%)	84.3 85.5 87.5 88.5																		
Power Factor	0.42 0.67 0.79 0.85																		
Foundation loads																			
Max. traction : 90 kgf																			
Max. compression : 129 kgf																			
	<table border="0"> <tr> <td></td> <td style="text-align: center;"><u>Drive end</u></td> <td style="text-align: center;"><u>Non drive end</u></td> </tr> <tr> <td>Bearing type :</td> <td style="text-align: center;">6207 ZZ</td> <td style="text-align: center;">6206 ZZ</td> </tr> <tr> <td>Sealing :</td> <td style="text-align: center;">V'Ring</td> <td style="text-align: center;">V'Ring</td> </tr> <tr> <td>Lubrication interval :</td> <td style="text-align: center;">-</td> <td style="text-align: center;">-</td> </tr> <tr> <td>Lubricant amount :</td> <td style="text-align: center;">-</td> <td style="text-align: center;">-</td> </tr> <tr> <td>Lubricant type :</td> <td colspan="2" style="text-align: center;">Mobil Polyrex EM</td> </tr> </table>		<u>Drive end</u>	<u>Non drive end</u>	Bearing type :	6207 ZZ	6206 ZZ	Sealing :	V'Ring	V'Ring	Lubrication interval :	-	-	Lubricant amount :	-	-	Lubricant type :	Mobil Polyrex EM	
	<u>Drive end</u>	<u>Non drive end</u>																	
Bearing type :	6207 ZZ	6206 ZZ																	
Sealing :	V'Ring	V'Ring																	
Lubrication interval :	-	-																	
Lubricant amount :	-	-																	
Lubricant type :	Mobil Polyrex EM																		
Notes																			
This revision replaces and cancel the previous one, which must be eliminated. (1) Looking the motor from the shaft end. (2) Measured at 1m and with tolerance of +3dB(A). (3) Approximate weight subject to changes after manufacturing process. (4) At 100% of full load.																			
These are average values based on tests with sinusoidal power supply, subject to the tolerances stipulated in NEMA MG-1.																			
Rev.	Changes Summary	Performed	Checked	Date															
Performed by																			
Checked by			Page	Revision															
Date	24/09/2020		1 / 1																

Dimensões em mm
Dimensions in mm

THIS IS AN UPDATED REVISION, THE
PREVIOUS ONE MUST BE DISREGARDED.



Grounding for leads 2-10 mm² / 14-7 AWG



Bearing cap									
Color RAL 5009									
Painting plan 207A									
Mounting B35L(E)									
ECM	LOC	SUMMARY OF MODIFICATIONS			EXECUTED	CHECKED	RELEASED	DATE	VER
EXECUTED	USERADMIN	THREE PHASE MOTOR TRU-METRIC P. EFF AL							
CHECKED		FRAME 112M IP55 TEFC							
RELEASED		WEG code: 14052065							
REL DT	24.09.2020	WMO	Jaragua do Sul	Product Engineering	SHEET	1 / 1			

5.5 HP 02 Poles 60Hz

A



MADE IN BRAZIL



IE3-88.5%

CC029A
Severe Duty

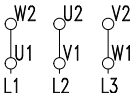
PH 3 FRAME AL112M

MODEL 00436ET3YAL112MFF-W2

INS CL. F ENCL TEFC TYPE ET IP55 DUTY CONT.

kW(HP)	Hz	VOLTS	RPM	AMPS	PF	SFA
4.0(5.5)	50	380 Δ	2890	7.83	0.88	-
		415 Δ	2910	7.49	0.84	-
4.0(5.5)	60	460 Δ	3515	6.67	0.85	8.34

Hz	SF	CODE	Δt (k)	ALT 1000 m.a.s.l.	MAX AMB. 40°C
50	1.00	K	80	NEMA EFF 60Hz DES	
60	1.25	L	80	NOM(%) 88.5	3/4(%) 87.5



Δ DELTA RUN



→ 6207-ZZ

MOBIL POLYREX EM

→ 6206-ZZ

87 Lbs

TEMP CODE T3C

Class I, Div. 2, Gr. B, C and D
Class I, Zone 2, IIC

MOD.TE01A0X0\$0000102359

14052065