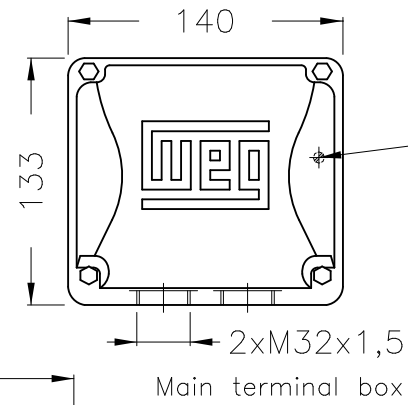
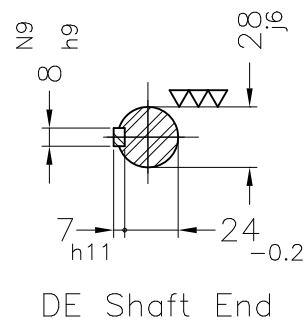
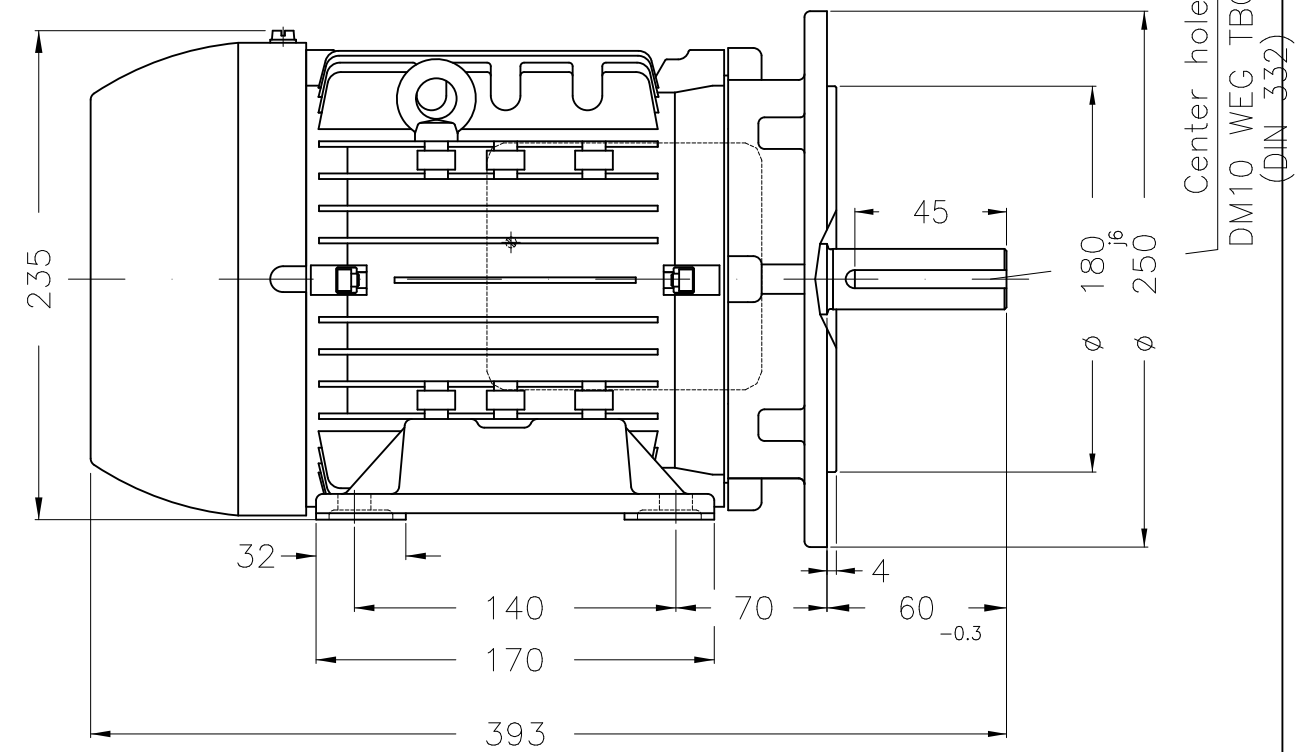
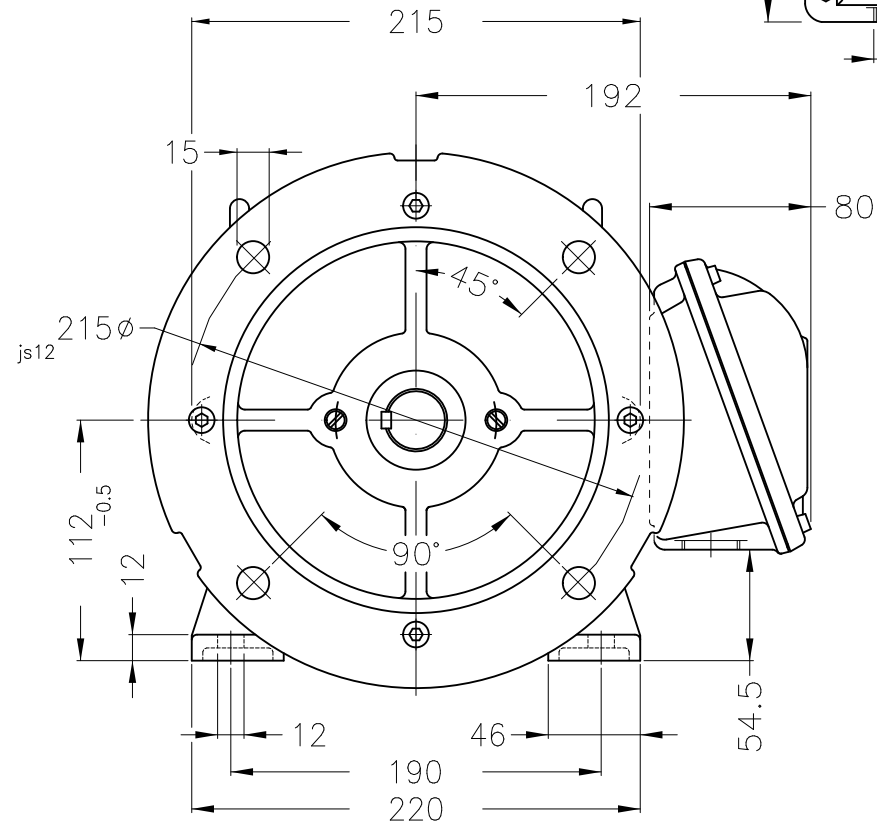


Dimensões em mm
Dimensions in mm

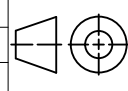
THIS IS AN UPDATED REVISION, THE
PREVIOUS ONE MUST BE DISREGARDED.



Grounding for leads 2-10 mm² / 14-7 AWG



Bearing cap
Color RAL 5009
Painting plan 207A
Mounting B35L(E)

ECM	LOC	SUMMARY OF MODIFICATIONS	EXECUTED	CHECKED	RELEASED	DATE	VER
EXECUTED	USERADMIN	 THREE PHASE MOTOR TRU-METRIC P. EFF AL FRAME 112M IP55 TEFC WEG code: 14052065					
CHECKED							
RELEASED							
REL DT	24.09.2020	WMO Jaragua do Sul	Product Engineering	SHEET	1 / 1		

5.5 HP 02 Poles 60Hz

A