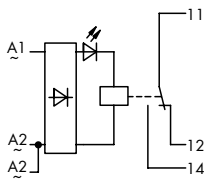
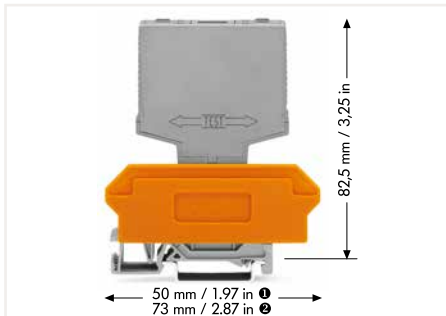


Relay Module 286 Series



Relay Module; 1 changeover contact; Limiting continuous current: 7 A; Status indicator: red; 15 mm wide

U_N	I_N	Item No.	Pack. Unit
115 VAC	6.1 mA	286-507	1
230 VAC	4.8 mA	286-508	1



Control Circuit

Input nominal voltage range	$\pm 10\%$
-----------------------------	------------

Load Circuit

Number of changeover/switchover contacts	1
Contact material	AgNi 0.15
Limiting continuous current	7 A
Switching voltage (max.)	250 VAC
Switching power (resistive) max.	1750 VA (AC)
Pull-in time (typ.)	8 ms
Drop-out time (typ.)	6 ms
Bounce time (typ.)	4 ms
Electrical life (NO; resistive load; 23 °C)	100 x 10 ³ switching operations
Mechanical life	30 x 10 ⁶ switching operations

Signaling

Status indicator	Red LED
------------------	---------

Safety and Protection

Rated voltage	250 V
Rated surge voltage	4 kV
Pollution degree	2
Dielectric strength, control/load circuit (AC, 1 min)	4 kV _{rms}
Dielectric strength, open contact (AC, 1 min)	1 kV _{rms}
Protection type	IP20

Physical Data

Width	15 mm / 0.591 inch
Height from upper-edge of DIN-rail	82.5 mm / 3.248 inch
Depth	52 mm / 1.654 inch

Mechanical Data

Mounting type	Pluggable relay module for terminal block for pluggable modules
---------------	---

Material Data

Weight	31.1 g
--------	--------

Environmental Requirements

Surrounding air temperature (operation at U_N)	-25 ... +40 °C
Surrounding air temperature (storage)	-25 ... +70 °C
Processing temperature	-25 ... +50 °C

Standards and Specifications

Standards/specifications	EN 60664-1
--------------------------	------------

Accessories



Terminal block for pluggable modules; 6-pole; with 2-conductor terminal blocks; with orange separator; for 35 x 15 mm and 35 x 7.5 mm DIN-rails; 2.5 mm²

Item No.	Pack. Unit
280-619	30



Terminal block for pluggable modules; 12-pole; with 4-conductor terminal blocks; with orange separator; for 35 x 15 mm and 35 x 7.5 mm DIN-rails; 2.5 mm²

Item No.	Pack. Unit
280-609	30



Terminal block for pluggable modules; 12-pole; with 4-conductor terminal blocks; with marker carrier; with orange separator; for 35 x 15 mm and 35 x 7.5 mm DIN-rails; 2.5 mm²

Item No.	Pack. Unit
280-763	25