

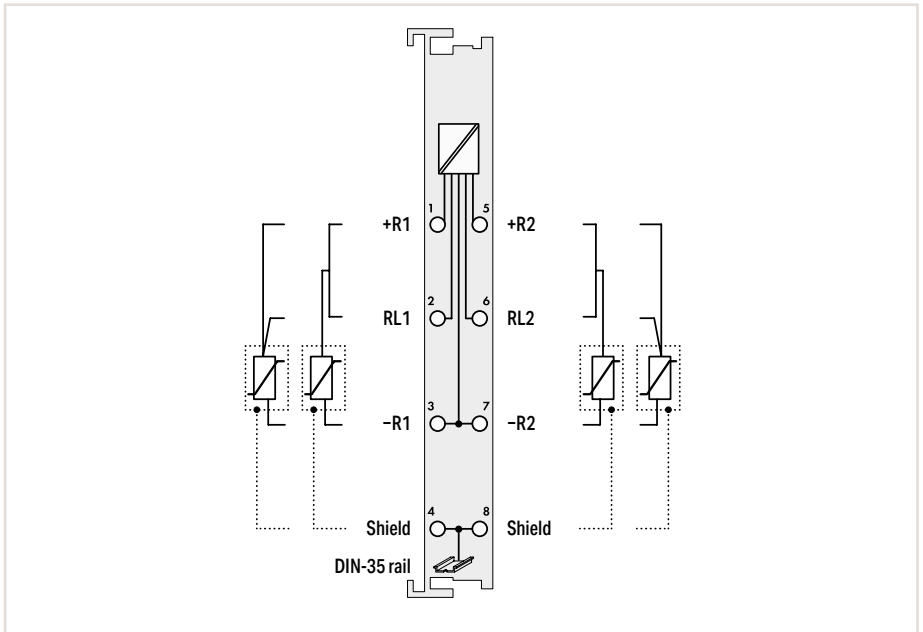
Analog Input; for Resistance Sensors

5.4



Figure: 750-461

Figure: 753-461



Item Description

Version

Item No.

Order Text

2-Channel Analog Input; for Pt100/RTD resistance sensors

Standard	Pluggable (delivery with-out connector)	Adjustable	Pluggable (delivery with-out connector); Adjustable	Extended temperature	Data format (S5 control)
750-461	753-461	750-461/003-000	753-461/003-000	750-461/025-000	750-461/000-200
2AI; Pt100/RTD	2AI; Pt100/RTD	2AI; Pt100/RTD; Adjust	2AI; Pt100/RTD; Adjust	2AI; Pt100/RTD; T	2AI; Pt100/RTD; S5

Technical Data

Pluggable connector		•		•	
Customized data format for S5 control*					•
Number of analog inputs	2				
Signal type	Pt100	Pt100 Configurable: Pt; Ni; Ohm		Pt100	
Sensor connection	2-wire; 3-wire				
Temperature range	-200 ... +850 °C				
Resolution	0.1 °C				
Conversion time	320 ms (per channel)				
Measured current (typ.)	0.5 mA				
Measuring error (max.) at 25 °C	±0.2 % of the upper-range value				
Temperature error (max.)	±0.01 % of the upper-range value				
Current consumption – system supply (5 V)	80 mA				
Data width	2 x 16-bit data; 2 x 8-bit control/status (optional)				
Isolation	500 V (system/field)				
Surrounding air temperature (operation)	0 ... +55 °C		-20 ... +60 °C		0 ... +55 °C
Dimensions W x H x D	12 x 69.8 x 100 mm				
Approvals	CE; Marine; OrdLoc/HazLoc; ATEX/IECEx				
Data sheet and further information, see:	wago.com/750-461	wago.com/753-461	wago.com/750-461	wago.com/753-461	wago.com/750-461
Accessories	Item No.		Item No.		
Pluggable connector	753-110		753-110		
Coding keys	753-150		753-150		

*The S5 format allows you to import data with the standard S5 FB 250 function block.