

## Digital Output; 24 VDC



Figure: 750-501

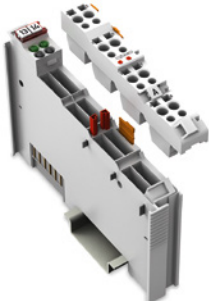
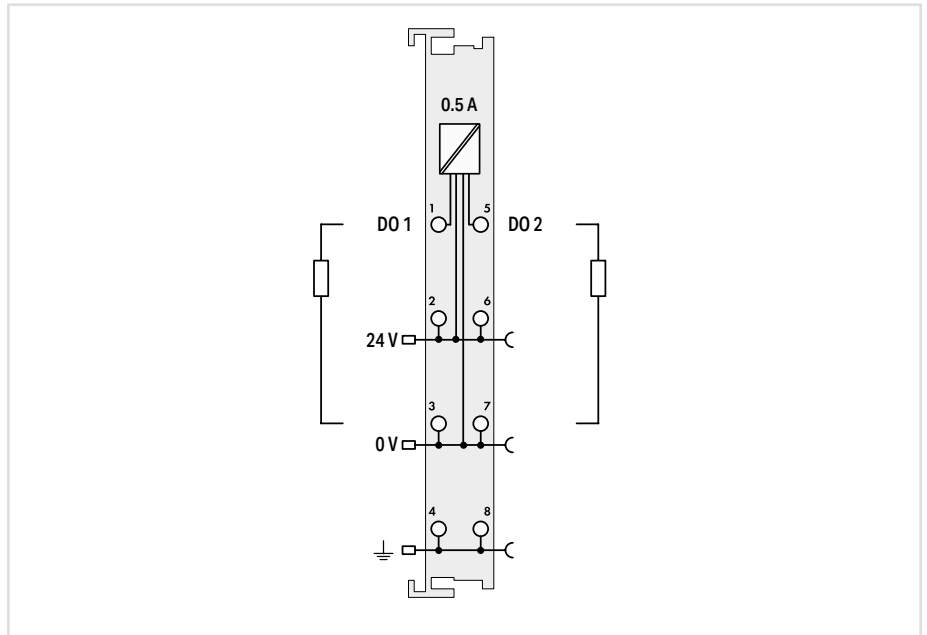


Figure: 753-501



Item Description	2-Channel Digital Output; 24 VDC; 0.5 A			
Version	Standard	Interference-free	Pluggable (delivery without connector)	Pluggable (delivery without connector); Interference-free
Item No.	750-501	750-501/000-800	753-501	753-501/000-800
Order Text	2DO; 24 VDC; 0.5A	2DO; 24 VDC; 0.5A; IF	2DO; 24 VDC; 0.5A	2DO; 24 VDC; 0.5A; IF

Technical Data				
Pluggable connector				•
Interference-free for use in safety functions		•		•
Number of digital outputs	2			
Signal type	24 VDC			
Output characteristic	High-side switching			
Output current per channel	0.5 A; short-circuit-protected			
Load type	Resistive; inductive; lamp load			
Actuator connection	2-wire; 3-wire; 4-wire			
Switching frequency (max.)	5 kHz			
Supply voltage (field)	24 VDC (-25 ... +30 %); via power jumper contacts (power supply via blade contact; transmission via spring contact)			
Current consumption – system supply (5 V)	3.5 mA			
Data width (internal)	2 bits			
Isolation	500 V (system/field)			
Surrounding air temperature (operation)	0 ... +55 °C			
Dimensions W x H x D	12 x 69.8 x 100 mm			
Approvals	CE; Marine; OrdLoc/HazLoc; ATEX/IECEX			

Accessories	Item No.
Pluggable connector	753-110
Coding keys	753-150