

## Digital Output; 24 VDC



Figure: 750-502

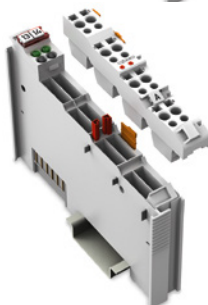
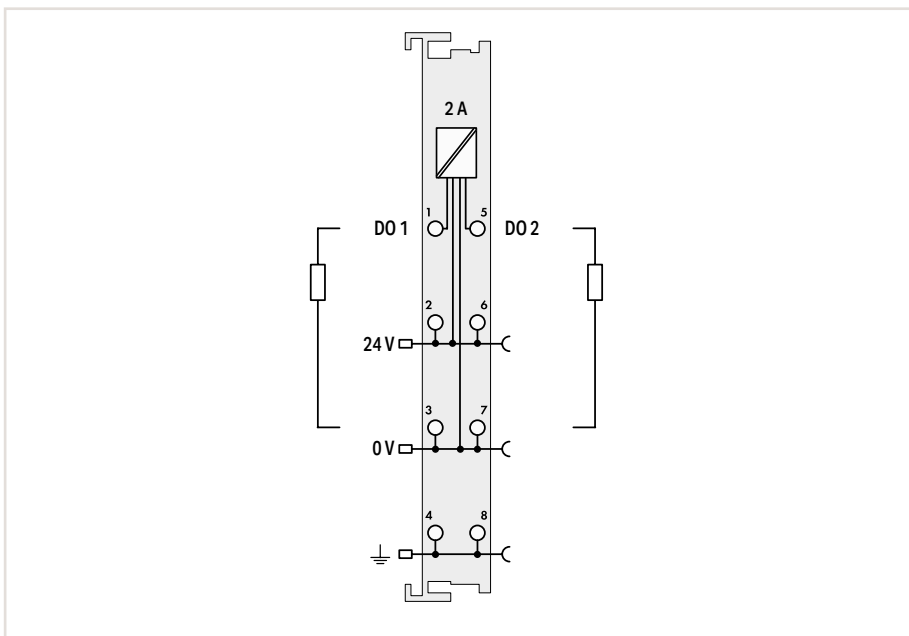


Figure: 753-502



Item Description	2-Channel Digital Output; 24 VDC; 2.0 A			
Version	Standard	Interference-free	Pluggable (delivery without connector)	Pluggable (delivery without connector); Interference-free
Item No.	750-502	750-502/000-800	753-502	753-502/000-800
Order Text	2DO; 24 VDC; 2A	2DO; 24 VDC; 2A; IF	2DO; 24 VDC; 2A	2DO; 24 VDC; 2A; IF

Technical Data	
Pluggable connector	•
Interference-free for use in safety functions	•
Number of digital outputs	2
Signal type	24 VDC
Output characteristic	High-side switching
Output current per channel	2 A; short-circuit-protected
Load type	Resistive; inductive; lamp load
Actuator connection	2-wire; 3-wire; 4-wire
Switching frequency (max.)	2.5 kHz
Supply voltage (field)	24 VDC (-25 ... +30 %); via power jumper contacts (power supply via blade contact; transmission via spring contact)
Current consumption – system supply (5 V)	3.5 mA
Data width (internal)	2 bits
Isolation	500 V (system/field)
Surrounding air temperature (operation)	0 ... +55 °C
Dimensions W x H x D	12 x 69.8 x 100 mm
Approvals	CE;  Marine;  OrdLoc/HazLoc;  ATEX/IECEx

Accessories	Item No.
Pluggable connector	753-110
Coding keys	753-150

„ Mini-WSB marker card and mounting accessories, see Section "Accessories and Tools"  
 „ Approvals and corresponding ratings, see page 519 or www.wago.com