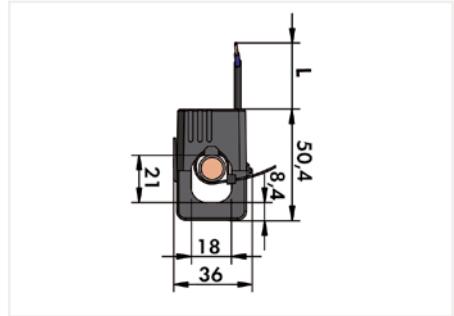
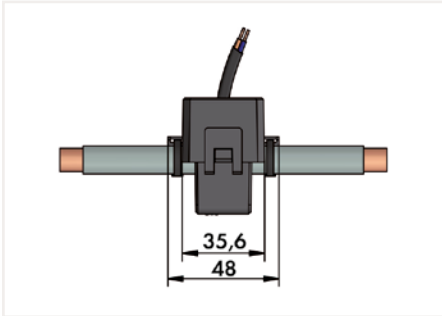


Split-Core Current Transformers 855 Series



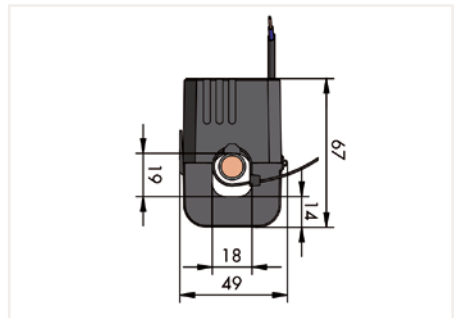
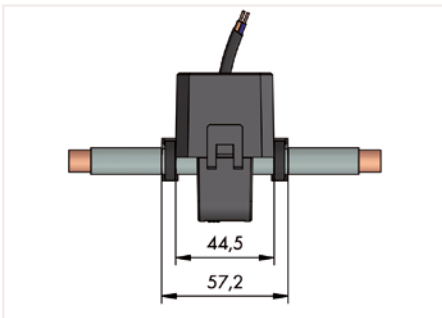
Split-Core Current Transformer; Feedthrough for measurement conductor: 18 mm Ø

Prim. Rated Current	Sec. Rated Current	Rated Power	Accuracy class	Cable Length	Conductor Cross Section	Item No.	Pack. Unit
60 A	1 A	0.2 VA	3	3 m	0.5 mm ²	855-3001/060-003	1
100 A	1 A	0.2 VA	3	3 m	0.5 mm ²	855-3001/100-003	1
200 A	1 A	0.2 VA	1	3 m	0.5 mm ²	855-3001/200-001	1
250 A	1 A	0.2 VA	1	3 m	0.5 mm ²	855-3001/250-001	1



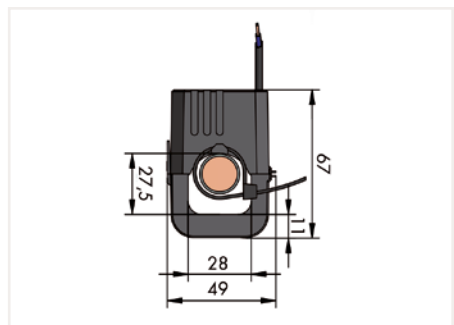
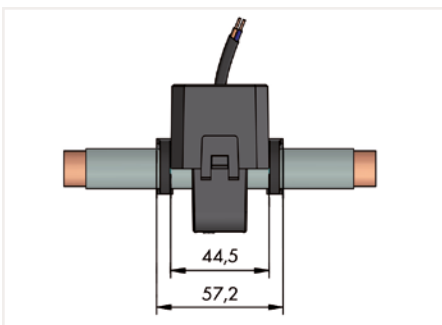
Split-Core Current Transformer; Feedthrough for measurement conductor: 18 mm Ø

Prim. Rated Current	Sec. Rated Current	Rated Power	Accuracy class	Cable Length	Conductor Cross Section	Item No.	Pack. Unit
100 A	1 A	0.2 VA	1	3 m	0.5 mm ²	855-4001/100-001	1
150 A	1 A	0.2 VA	1	3 m	0.5 mm ²	855-4001/150-001	1
150 A	5 A	1 VA	1	0.5 m	1.5 mm ²	855-4005/150-101	1
200 A	1 A	0.2 VA	0,5	3 m	0.5 mm ²	855-4001/200-001	1



Split-Core Current Transformer; Feedthrough for measurement conductor: 28 mm Ø

Prim. Rated Current	Sec. Rated Current	Rated Power	Accuracy class	Cable Length	Conductor Cross Section	Item No.	Pack. Unit
200 A	1 A	0.2 VA	1	3 m	0.5 mm ²	855-4101/200-001	1
250 A	1 A	0.2 VA	1	3 m	0.5 mm ²	855-4101/250-001	1
250 A	5 A	1 VA	1	0.5 m	1.5 mm ²	855-4105/250-101	1
400 A	1 A	0.2 VA	1	3 m	0.5 mm ²	855-4101/400-001	1
400 A	5 A	1 VA	1	0.5 m	1.5 mm ²	855-4105/400-101	1



4