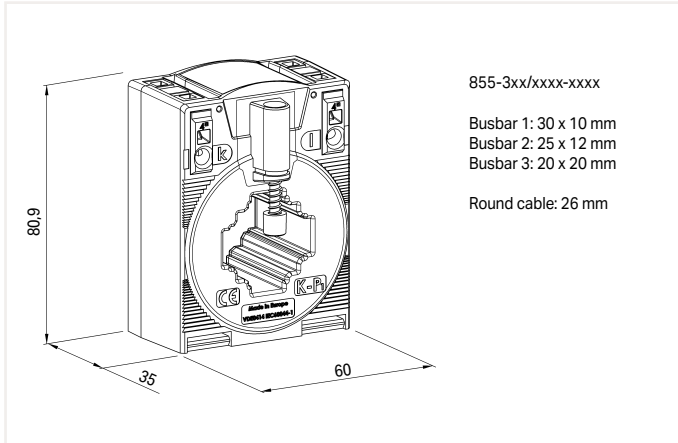
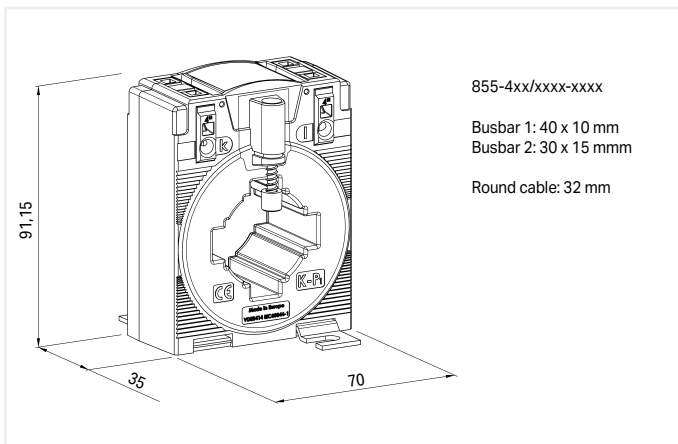


## Plug-In Current Transformer; with CAGE CLAMP® Connection 855 Series



Plug-In Current Transformer; with CAGE CLAMP® Connection					
Primary Rated Current	Secondary Rated Current	Rated Power	Accuracy Class	Item No.	Pack. Unit
50 A	1 A	1.25 VA	3	855-301/050-103	1
50 A	5 A	1.25 VA	3	855-305/050-103	1
60 A	1 A	1.25 VA	1	855-301/060-101	1
60 A	5 A	1.25 VA	1	855-305/060-101	1
75 A	1 A	2.5 VA	1	855-301/075-201	1
75 A	5 A	2.5 VA	1	855-305/075-201	1
100 A	1 A	2.5 VA	1	855-301/100-201	1
100 A	5 A	2.5 VA	1	855-305/100-201	1
150 A	1 A	5 VA	1	855-301/150-501	1
150 A	5 A	5 VA	1	855-305/150-501	1
200 A	1 A	5 VA	1	855-301/200-501	1
200 A	5 A	5 VA	1	855-305/200-501	1
250 A	1 A	5 VA	1	855-301/250-501	1
250 A	5 A	5 VA	1	855-305/250-501	1
300 A	5 A	5 VA	1	855-305/300-501	1
400 A	1 A	10 VA	1	855-301/400-1001	1
400 A	5 A	10 VA	1	855-305/400-1001	1
600 A	1 A	10 VA	1	855-301/600-1001	1
600 A	5 A	10 VA	1	855-305/600-1001	1



Plug-In Current Transformer; with CAGE CLAMP® Connection					
Primary Rated Current	Secondary Rated Current	Rated Power	Accuracy Class	Item No.	Pack. Unit
250 A	1 A	5 VA	1	855-401/250-501	1
250 A	5 A	5 VA	1	855-405/250-501	1
400 A	1 A	5 VA	1	855-401/400-501	1
400 A	5 A	5 VA	1	855-405/400-501	1
600 A	1 A	5 VA	1	855-401/600-501	1
750 A	5 A	5 VA	1	855-405/750-501	1

4