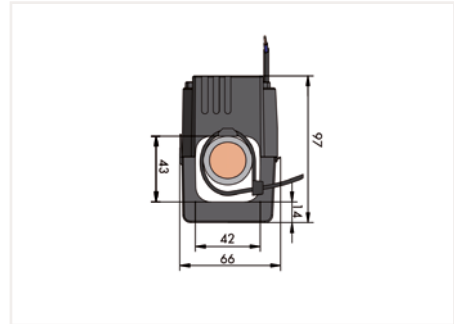
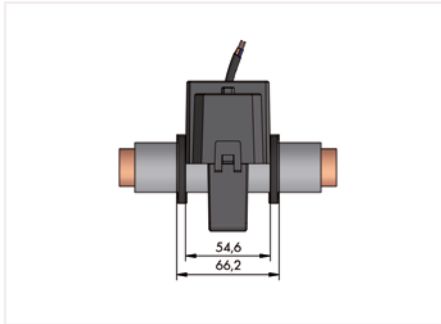


# Split-Core Current Transformers 855 Series



Split-Core Current Transformer; Feedthrough for measurement conductor: 42 mm Ø

Prim. Rated Current	Sec. Rated Current	Rated Power	Accuracy class	Cable Length	Conductor Cross Section	Item No.	Pack. Unit
250 A	1 A	0.5 VA	1	5 m	0.5 mm <sup>2</sup>	855-5001/250-001	1
400 A	1 A	0.5 VA	0,5	5 m	0.5 mm <sup>2</sup>	855-5001/400-000	1
400 A	5 A	0.5 VA	1	3 m	1.5 mm <sup>2</sup>	855-5005/400-001	1
600 A	1 A	0.5 VA	0,5	5 m	0.5 mm <sup>2</sup>	855-5001/600-000	1
600 A	5 A	0.5 VA	0,5	3 m	1.5 mm <sup>2</sup>	855-5005/600-000	1
1000 A	1 A	0.5 VA	0,5	5 m	0.5 mm <sup>2</sup>	855-5001/1000-000	1
1000 A	5 A	0.5 VA	0,5	3 m	1.5 mm <sup>2</sup>	855-5005/1000-000	1



4



Split-Core Current Transformer; Feedthrough for measurement conductor: 42 mm Ø

Prim. Rated Current	Sec. Rated Current	Rated Power	Accuracy class	Cable Length	Conductor Cross Section	Item No.	Pack. Unit
1000 A	1 A	0.5 VA	0,5	5 m	0.5 mm <sup>2</sup>	855-5101/1000-000	1
1000 A	5 A	0.5 VA	0,5	3 m	1.5 mm <sup>2</sup>	855-5105/1000-000	1

