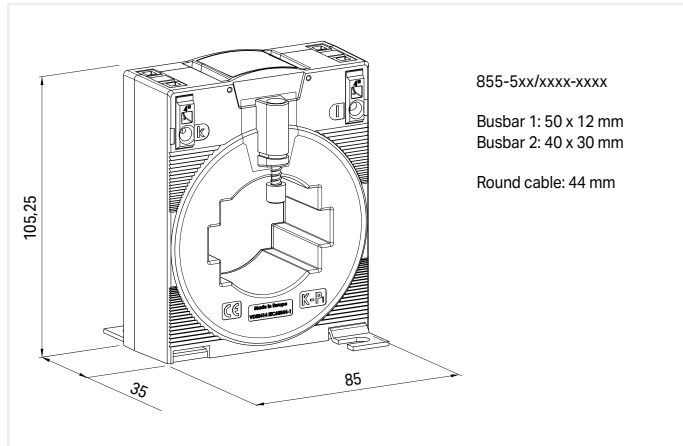
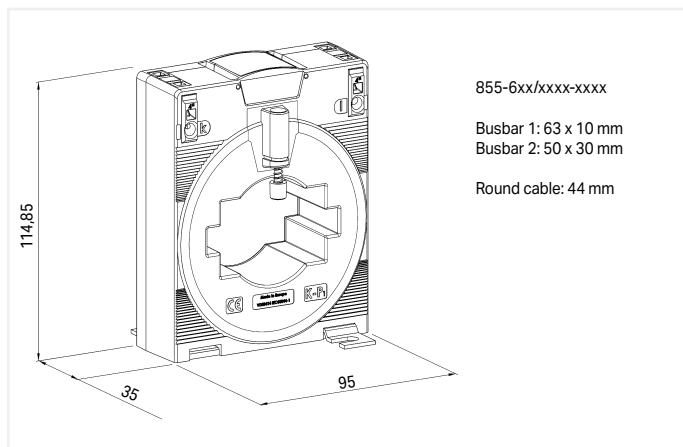


## Plug-In Current Transformer; with CAGE CLAMP® Connection 855 Series



Plug-In Current Transformer; with CAGE CLAMP® Connection					
Primary Rated Current	Secondary Rated Current	Rated Power	Accuracy Class	Item No.	Pack. Unit
400 A	1 A	10 VA	1	855-501/400-1001	1
400 A	5 A	10 VA	1	855-505/400-1001	1
600 A	1 A	10 VA	1	855-501/600-1001	1
600 A	5 A	10 VA	1	855-505/600-1001	1
800 A	1 A	10 VA	1	855-501/800-1001	1
800 A	5 A	10 VA	1	855-505/800-1001	1
1000 A	1 A	10 VA	1	855-501/1000-1001	1
1000 A	5 A	10 VA	1	855-505/1000-1001	1

4



Plug-In Current Transformer; with CAGE CLAMP® Connection					
Primary Rated Current	Secondary Rated Current	Rated Power	Accuracy Class	Item No.	Pack. Unit
1500 A	5 A	5 VA	1	855-605/1500-501	1
1500 A	1 A	5 VA	1	855-601/1500-501	1