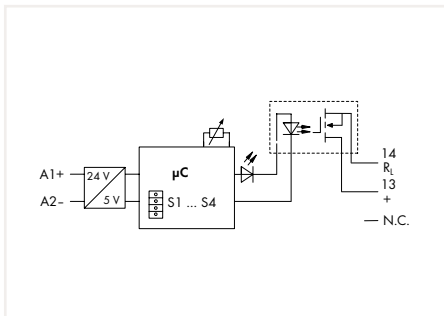


Solid-State Timer Relay Module 857 Series

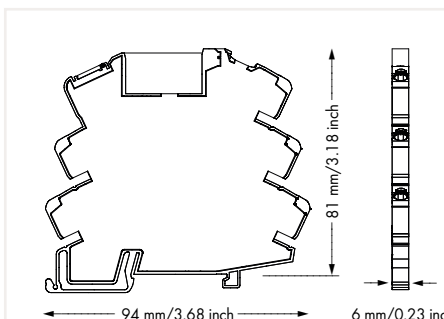


2



Solid-State Relay Module; Output voltage range: 0 ... 24 VDC; Limiting continuous current: 2 A; 2-wire connection; Multifunctional/multi-time; Status indicator: yellow; 6 mm wide

U_N	I_N	Item No.	Pack. Unit
24 VDC	9.15 mA	857-624	25



Features:

- 4 functions
- Function and time range adjustable via DIP switch

Control Circuit

Input voltage range	-15 ... +30 %
Time range	Adjustable: 0.1 ... 10 s; 3 ... 300 s; 0.3 ... 30 min; 3 ... 300 min
Reset time	50 ms
Repeat accuracy	±1 %
Functions	On-delay; Single-shot leading edge; On-delay and single-shot leading edge (1s fixed); blinking

Load Circuit

Circuit type	2-wire connection
Limiting continuous current	2 A
Output voltage range	0 ... 24 VDC
Voltage drop (output) max.	≤ 0.12 VDC
Turn-on time	≤ 100 µs
Turn-off time	≤ 2 ms

Signaling

Status indicator	Yellow LED
------------------	------------

Safety and Protection

Dielectric strength, control/load circuit (AC, 1 min)	3.75 kV _{rms}
Protection type	IP20

Connection Data

Connection technology	Push-in CAGE CLAMP®
Solid conductor	0.34 ... 2.5 mm ² / 22 ... 14 AWG
Fine-stranded conductor	0.34 ... 2.5 mm ² / 22 ... 14 AWG
Strip Length	9 ... 10 mm / 0.35 ... 0.39 inch

Physical Data

Width	6 mm / 0.236 inch
Height from upper-edge of DIN-rail	81 mm / 3.189 inch
Depth	94 mm / 3.701 inch

Mechanical Data

Mounting type	DIN-35 rail
---------------	-------------

Material Data

Weight	29.5 g
--------	--------

Environmental Requirements

Surrounding air temperature (operation at U_N)	-20 ... +60 °C
Surrounding air temperature (storage)	-40 ... +70 °C
Processing temperature	-25 ... +50 °C

Standards and Specifications

Standards/specifications	EN 61812-1; EN 61373; EN 50121-3-2
--------------------------	------------------------------------