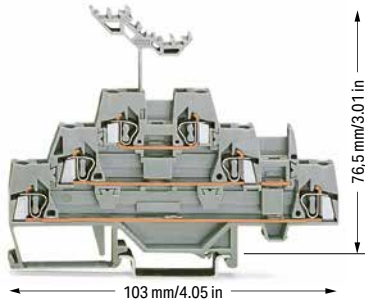


Triple-Deck Terminal Block

2.5 mm²; 280 Series

Technical Data	
0.08 ... 2.5 mm ²	28 ... 12 AWG*
500 V/6 kV/3 ①	300 V, 15 A ②
I _N 20 A	300 V, 20 A ③
Terminal block width: 5 mm / 0.197 inch	
8 ... 9 mm / 0.31 ... 0.35 inch	

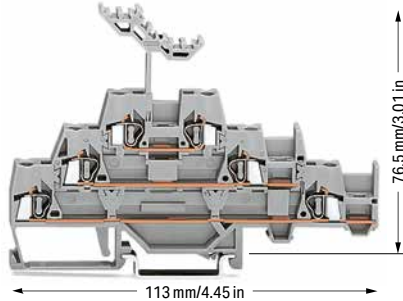


Triple-deck terminal block; through/through/through terminal block		
Color	Item No.	Pack. Unit
○ gray	280-549	40
● blue	280-551	40

Accessories; item-specific			
End and intermediate plate; 2.5 mm thick			
orange	280-304	50 (25)	
gray	280-303	50 (25)	

Intermediate plate; 1.1 mm thick			
orange	280-336	50 (25)	

Technical Data	
0.08 ... 2.5 mm ²	28 ... 12 AWG*
500 V/6 kV/3 ①	300 V, 15 A ②
I _N 20 A	300 V, 20 A ③
Terminal block width: 5 mm / 0.197 inch	
8 ... 9 mm / 0.31 ... 0.35 inch	

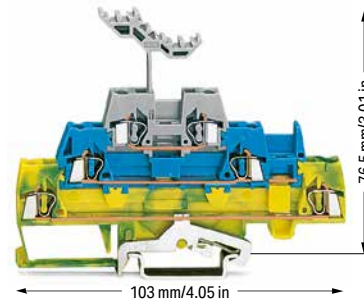


Triple-deck terminal block; through/through/through terminal block; with slot for adjacent jumper on lower level		
Color	Item No.	Pack. Unit
○ gray	280-550	40

Accessories; item-specific			
End and intermediate plate; 2.5 mm thick			
orange	280-306	50 (25)	
gray	280-305	50 (25)	

Intermediate plate; 1.1 mm thick			
orange	280-339	50 (25)	

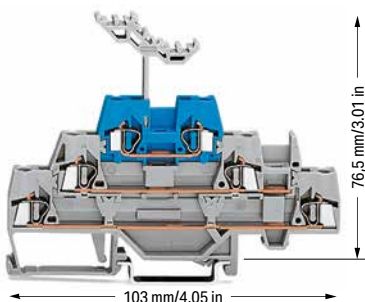
Technical Data	
0.08 ... 2.5 mm ²	28 ... 12 AWG*
500 V/6 kV/3 ①	300 V, 20 A ③
I _N 20 A	300 V, 20 A ③
Terminal block width: 5 mm / 0.197 inch	
8 ... 9 mm / 0.31 ... 0.35 inch	



Triple-deck terminal block; ground conductor/through/through terminal block		
Color	Item No.	Pack. Unit
green-yellow/blue/gray	280-547	40
green-yellow/gray/gray	280-557	40

Accessories; item-specific			
End and intermediate plate; 2.5 mm thick			
orange	280-304	50 (25)	
gray	280-303	50 (25)	

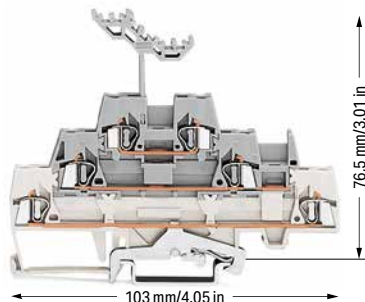
Intermediate plate; 1.1 mm thick			
orange	280-336	50 (25)	



Triple-deck terminal block; through/through/through terminal block		
Color	Item No.	Pack. Unit
gray/gray/blue	280-552	40

Accessories; item-specific			
End and intermediate plate; 2.5 mm thick			
orange	280-304	50 (25)	
gray	280-303	50 (25)	

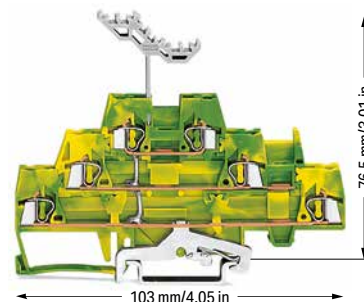
Intermediate plate; 1.1 mm thick			
orange	280-336	50 (25)	



Triple-deck terminal block; shield conductor/through/through terminal block		
Color	Item No.	Pack. Unit
white/gray/gray	280-548	40
white/blue/gray	280-558	40

Accessories; item-specific			
End and intermediate plate; 2.5 mm thick			
orange	280-304	50 (25)	
gray	280-303	50 (25)	

Intermediate plate; 1.1 mm thick			
orange	280-336	50 (25)	



Triple-deck terminal block; 6-conductor ground terminal block; internally commoned		
Color	Item No.	Pack. Unit
● green-yellow	280-597	40

Accessories; item-specific			
End and intermediate plate; 2.5 mm thick			
orange	280-304	50 (25)	
gray	280-303	50 (25)	

Intermediate plate; 1.1 mm thick			
orange	280-336	50 (25)	