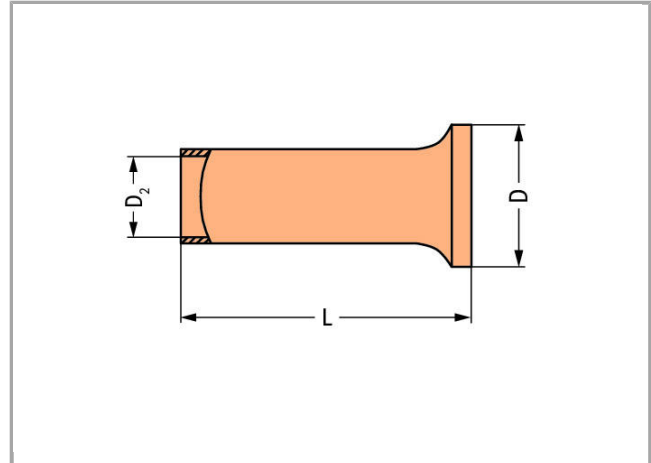
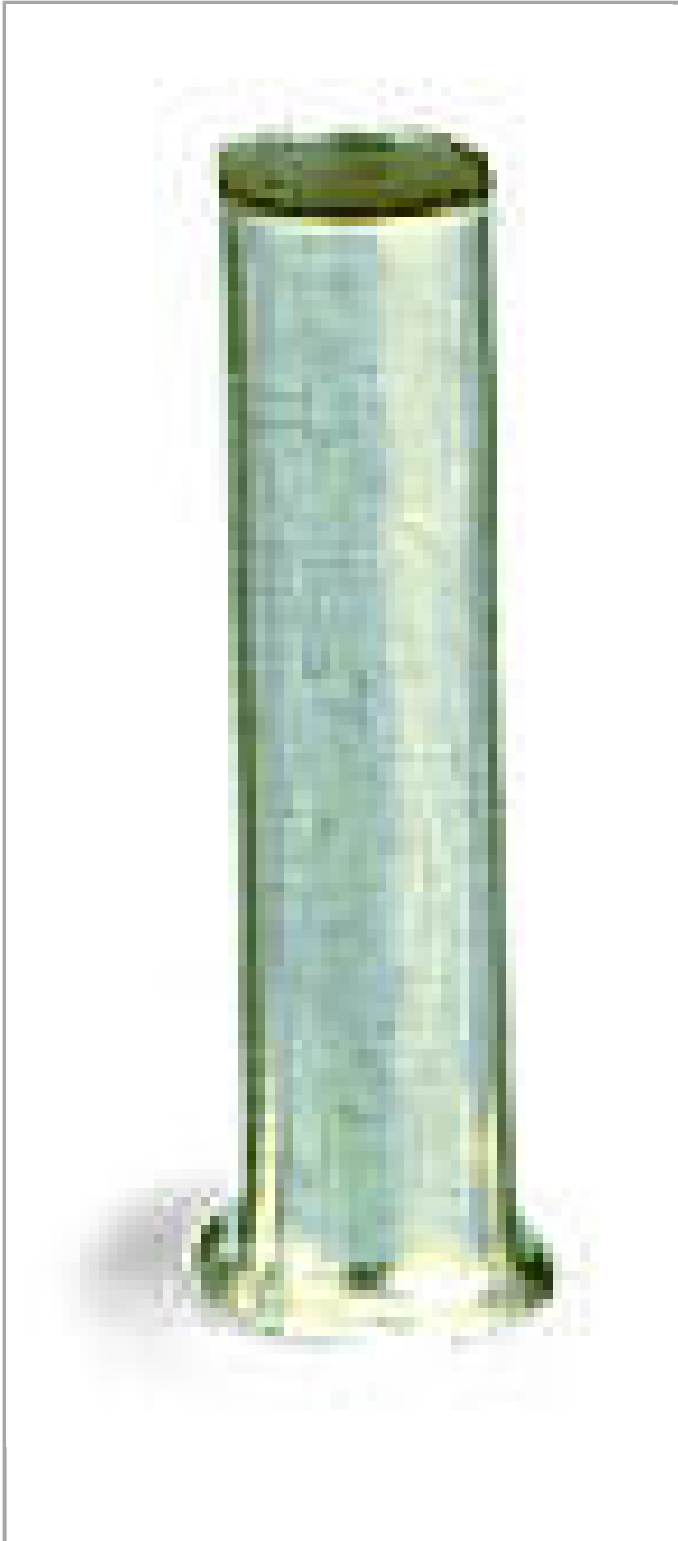


Data sheet | Item number: 216-102

Ferrule; Sleeve for 0.75 mm² / AWG 20; uninsulated; electro-tin plated



216-102



RoHS 
Compliant

[BOMcheck.net](#)

Data

Technical Data

Main product function	Ferrule
Querschnitt Hülse AWG	18 AWG
Hülse für	0.75 mm ²

Connection data

Strip length	8 mm / 0.31 inch
--------------	------------------

Geometrical Data

Length	8 mm
Diameter	2.3 mm
Diameter 2	1.2 mm

Material Data

Weight	0.047 g
--------	---------

Commercial data

Product Group	2 (Terminal Block Accessories)
Country of origin	DE
GTIN	4017332277631
Customs Tariff No.	85369010000

Downloads

Documentation

Bid Text

216-102	doc 24.6 kB	Download
---------	----------------	--------------------------



Subject to changes.
