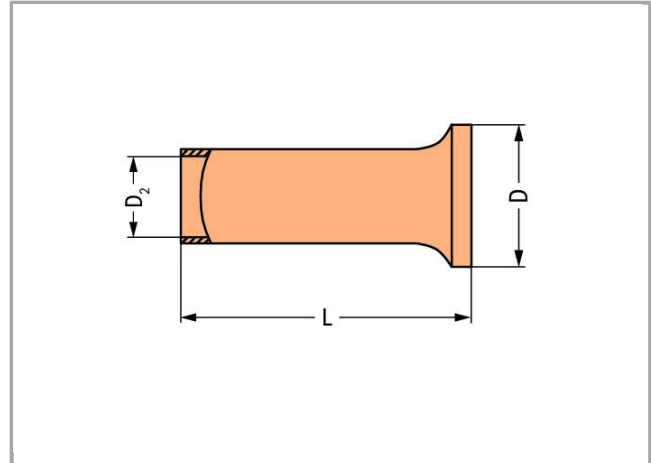
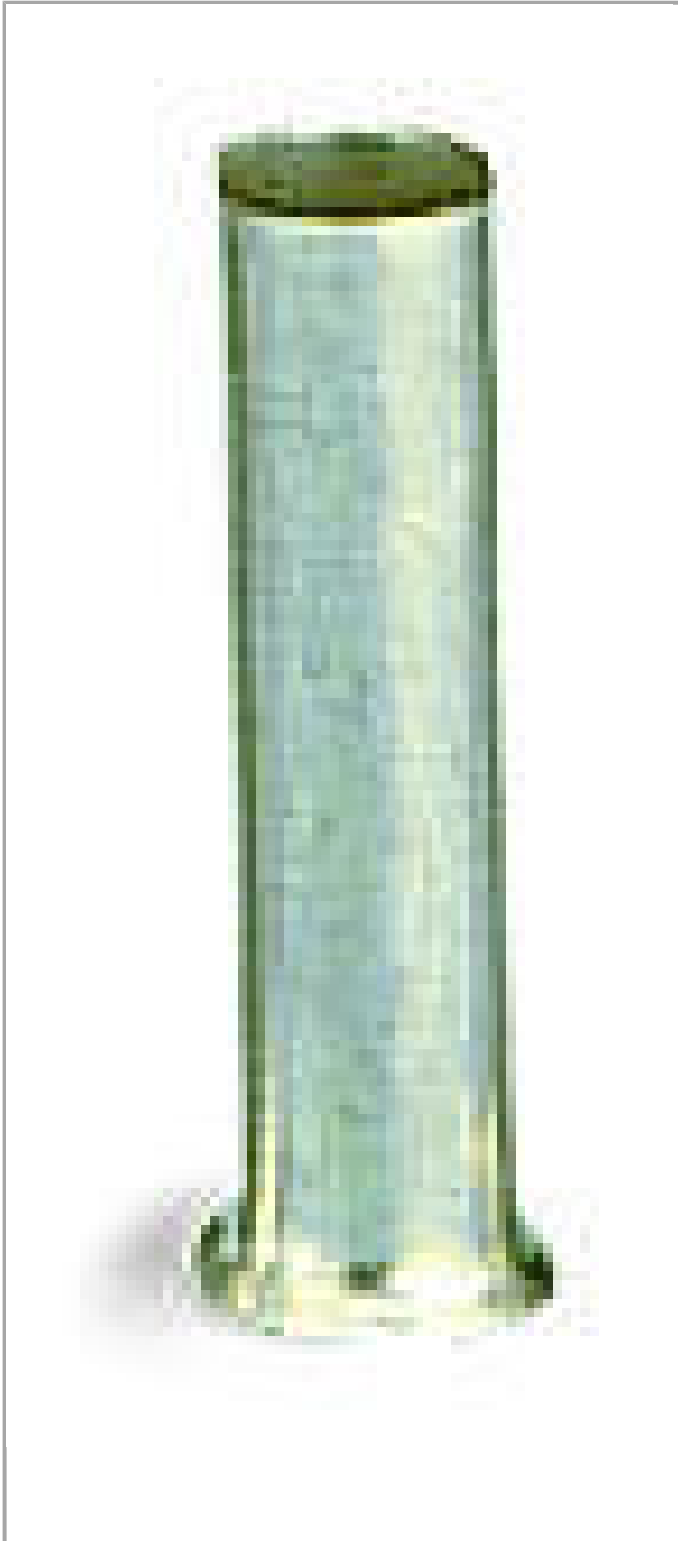


Data sheet | Item number: 216-103

Ferrule; Sleeve for 1 mm<sup>2</sup> / AWG 18; uninsulated; electro-tin plated



216-103



RoHS   
Compliant

[BOMcheck.net](#)

## Data

### Technical Data

Main product function	Ferrule
Querschnitt Hülse AWG	18 AWG
Hülse für	1 mm <sup>2</sup>

### Connection data

Strip length	8 mm / 0.31 inch
--------------	------------------

### Geometrical Data

Length	8 mm
Diameter	2.5 mm
Diameter 2	1.4 mm

### Material Data

Weight	0.063 g
--------	---------

### Commercial data

Product Group	2 (Terminal Block Accessories)
Country of origin	DE
GTIN	4017332277655
Customs Tariff No.	85369010000

## Downloads

### Documentation

#### Bid Text

216-103	doc 25.1 kB	<a href="#">Download</a>
---------	----------------	--------------------------



Subject to changes.

---