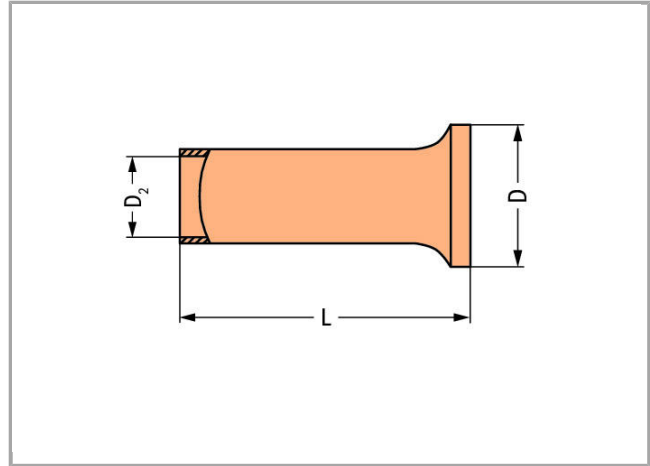
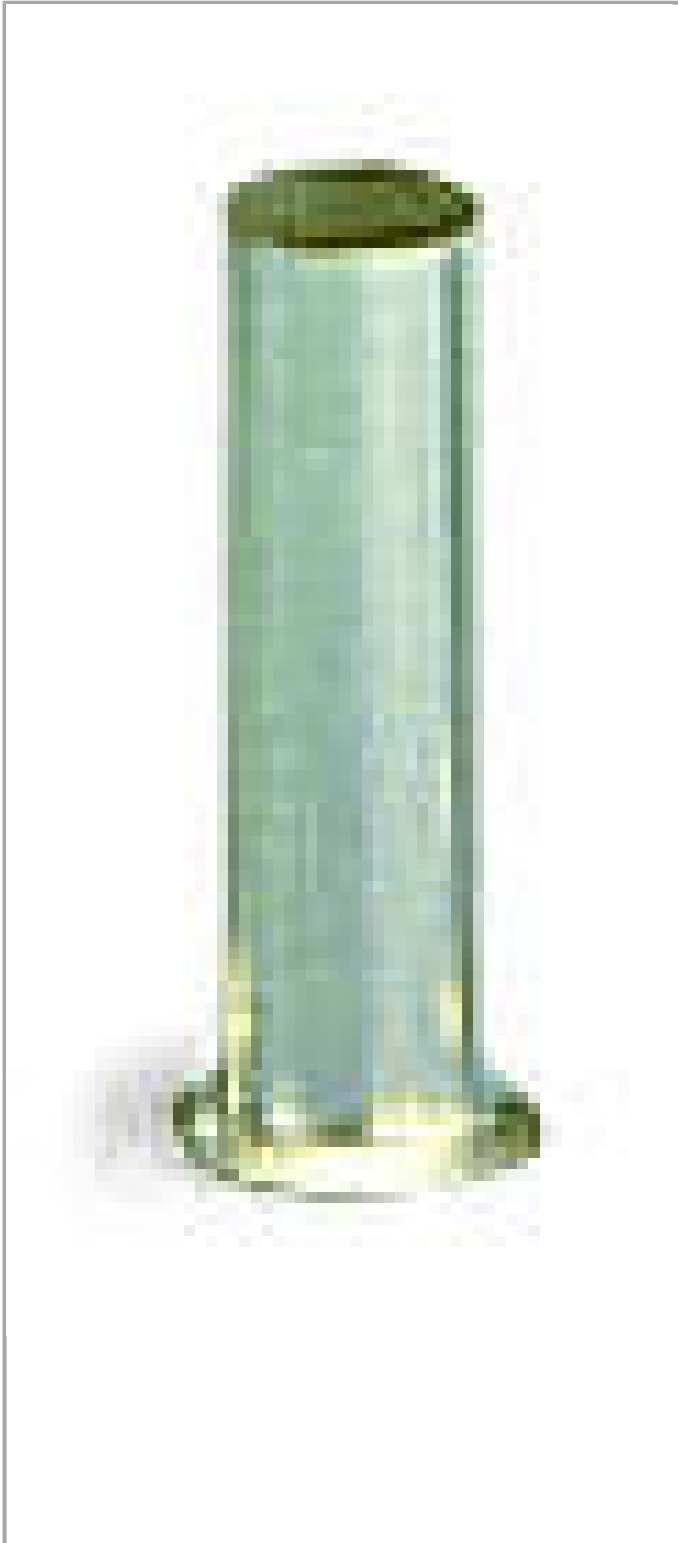


Data sheet | Item number: 216-122

Ferrule; Sleeve for 0.75 mm<sup>2</sup> / AWG 20; uninsulated; electro-tin plated



216-122



RoHS   
Compliant

 BOMcheck.net

## Data

### Technical Data

Main product function	Ferrule
Querschnitt Hülse AWG	18 AWG
Hülse für	0.75 mm <sup>2</sup>

### Connection data

Strip length	6 mm / 0.24 inch
--------------	------------------

### Geometrical Data

Length	6 mm
Diameter	2.3 mm
Diameter 2	1.2 mm

### Material Data

Weight	0.039 g
--------	---------

### Commercial data

Product Group	2 (Terminal Block Accessories)
Country of origin	DE
GTIN	4017332277624
Customs Tariff No.	85369010000

## Downloads

### Documentation

#### Bid Text

216-122	doc 24.6 kB	Download
---------	----------------	----------



Subject to changes.

---