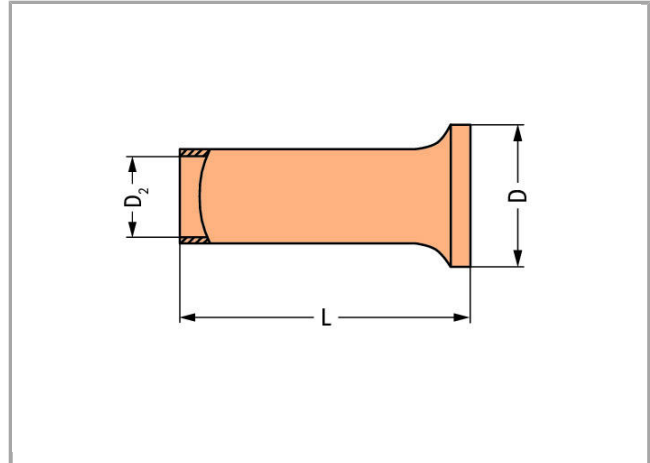
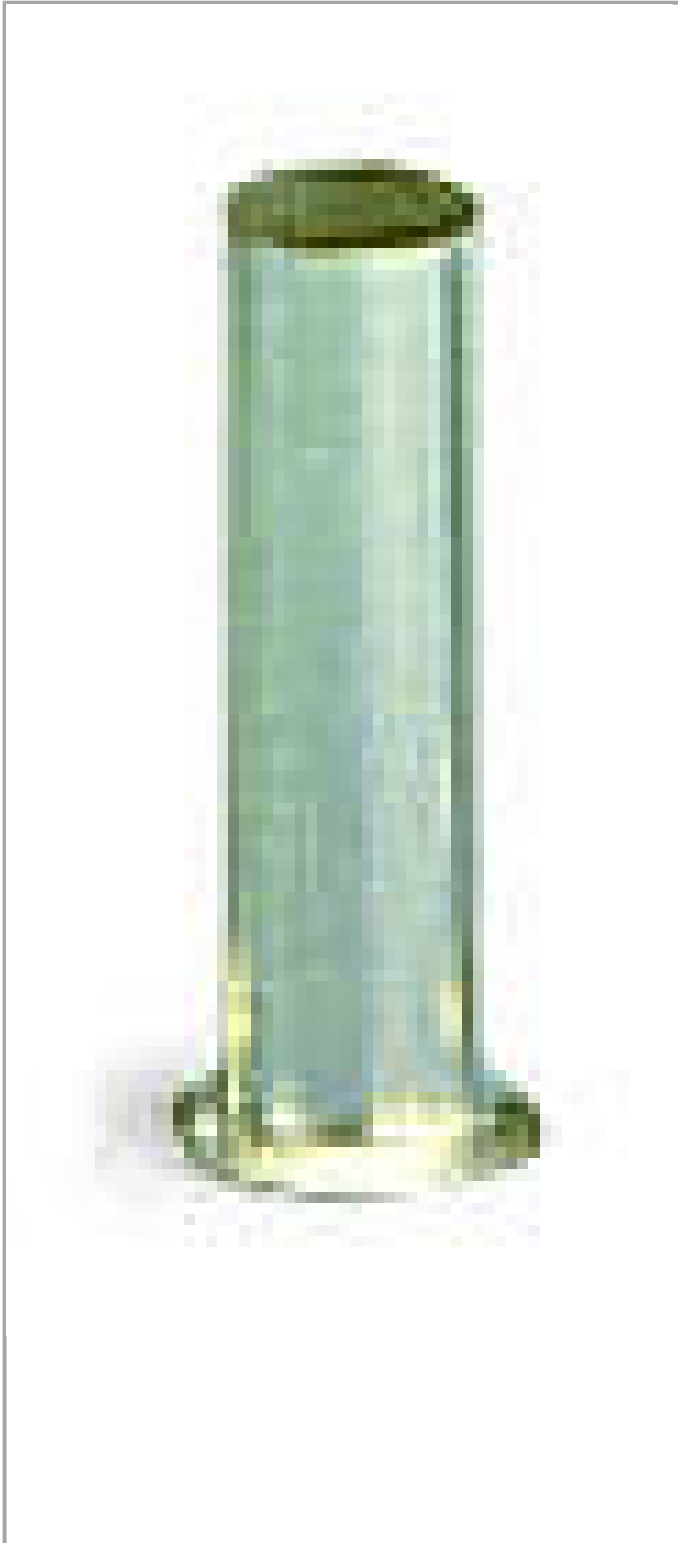


Data sheet | Item number: 216-123

Ferrule; Sleeve for 1 mm² / AWG 18; uninsulated; electro-tin plated



216-123



RoHS 
Compliant

[BOMcheck.net](#)

Data

Technical Data

| | |
|-----------------------|-------------------|
| Main product function | Ferrule |
| Querschnitt Hülse AWG | 18 AWG |
| Hülse für | 1 mm ² |

Connection data

| | |
|--------------|------------------|
| Strip length | 6 mm / 0.24 inch |
|--------------|------------------|

Geometrical Data

| | |
|------------|--------|
| Length | 6 mm |
| Diameter | 2.5 mm |
| Diameter 2 | 1.4 mm |

Material Data

| | |
|--------|---------|
| Weight | 0.042 g |
|--------|---------|

Commercial data

| | |
|--------------------|--------------------------------|
| Product Group | 2 (Terminal Block Accessories) |
| Country of origin | DE |
| GTIN | 4017332277648 |
| Customs Tariff No. | 85369010000 |

Downloads

Documentation

Bid Text

| | | |
|---------|----------------|--------------------------|
| 216-123 | doc 25.1 kB | Download |
|---------|----------------|--------------------------|



Subject to changes.
