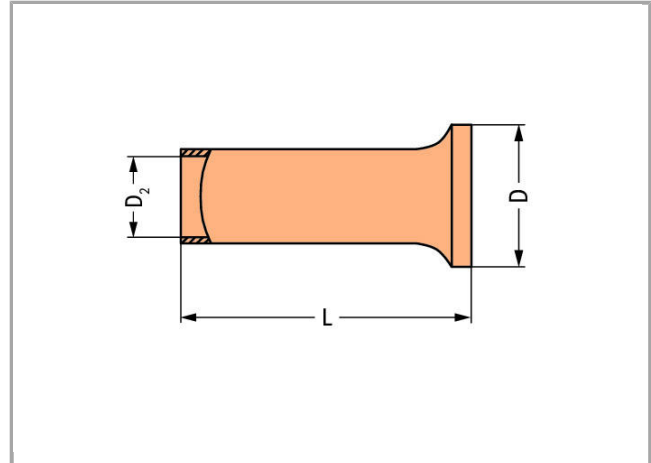
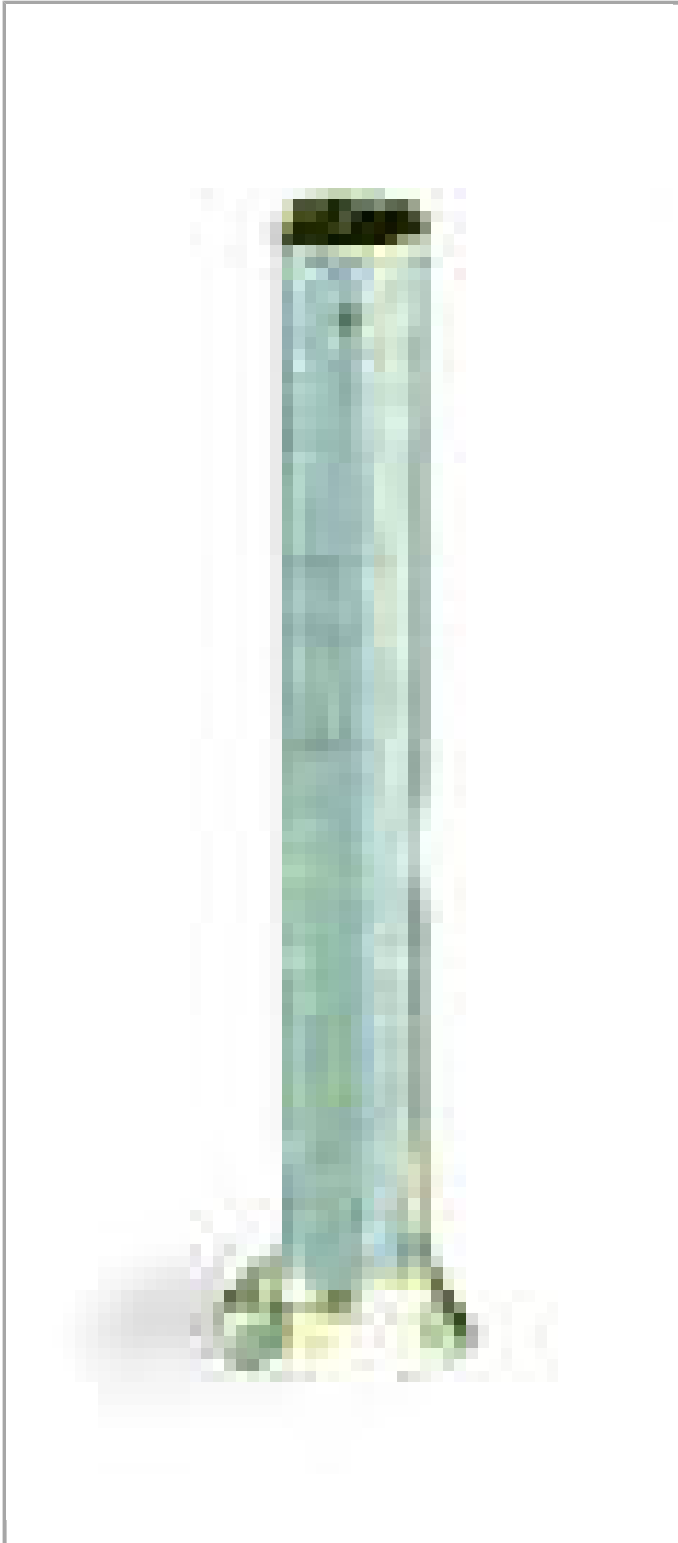


Data sheet | Item number: 216-141

Ferrule; Sleeve for 0.5 mm² / 20 AWG; uninsulated; electro-tin plated; electrolytic copper; gastight crimped; acc. to DIN 46228, Part 1/08.92



216-141



RoHS 
Compliant

[BOMcheck.net](#)

Data

Technical Data

Main product function	Ferrule
Querschnitt Hülse AWG	20 AWG
Hülse für	0.5 mm ²

Connection data

Strip length	10 mm / 0.39 inch
--------------	-------------------

Geometrical Data

Length	10 mm
Diameter	2.1 mm
Diameter 2	1 mm

Material Data

Weight	0.048 g
--------	---------

Commercial data

Product Group	2 (Terminal Block Accessories)
Country of origin	DE
GTIN	4044918016353
Customs Tariff No.	85369010000

Downloads

Documentation

Bid Text

216-141	doc 23.6 kB	Download
---------	----------------	--------------------------



Subject to changes.
