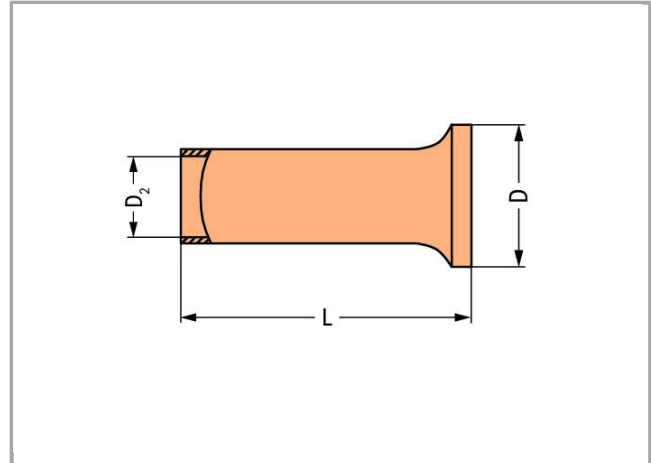


Data sheet | Item number: 216-425

Ferrule; Sleeve for 50 mm² / AWG 1; uninsulated; electro-tin plated; electrolytic copper; gastight crimped; acc. to DIN 46228, Part 1/08.92



216-425



Data

Technical Data

Main product function	Ferrule
Querschnitt Hülse AWG	1 AWG
Hülse für	50 mm ²

**Connection data**

Strip length	30 mm / 1.18 inch
--------------	-------------------

Geometrical Data

Length	30 mm
Diameter	13 mm
Diameter 2	10.3 mm

Material Data

Weight	9.999 g
--------	---------

Commercial data

Product Group	2 (Terminal Block Accessories)
Country of origin	DE
GTIN	4050821134206
Customs Tariff No.	85369010000

Downloads**Documentation****Bid Text**

216-425	doc	Download
	24.6 kB	

Subject to changes.
