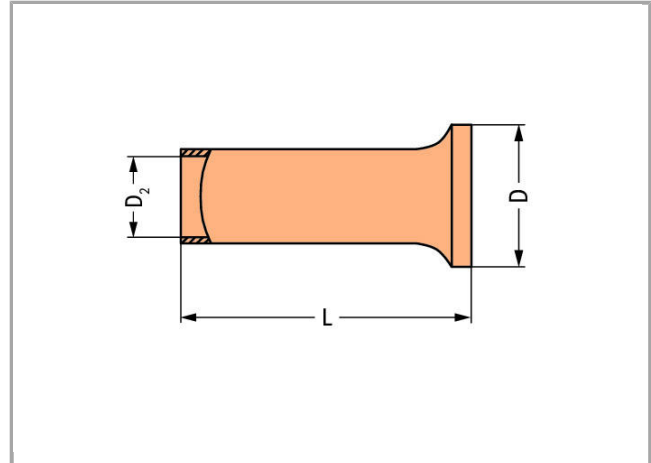


**Data sheet | Item number: 216-435**

Ferrule; Sleeve for 50 mm<sup>2</sup> / AWG 1; uninsulated; electro-tin plated;  
electrolytic copper; gastight crimped; acc. to DIN 46228, Part 1/08.92



216-435



RoHS   
Compliant



## Data

### Technical Data

Main product function	Ferrule
Querschnitt Hülse AWG	1 AWG
Hülse für	50 mm <sup>2</sup>

### Connection data

Strip length	35 mm / 1.38 inch
--------------	-------------------

### Geometrical Data

Length	35 mm
Diameter	13 mm
Diameter 2	10.3 mm

### Material Data

Weight	3 g
--------	-----

### Commercial data

Product Group	2 (Terminal Block Accessories)
Country of origin	DE
GTIN	4050821134213
Customs Tariff No.	85369010000

## Downloads

### Documentation

#### Bid Text

216-435	doc 25.1 kB	Download
---------	----------------	----------



Subject to changes.

---