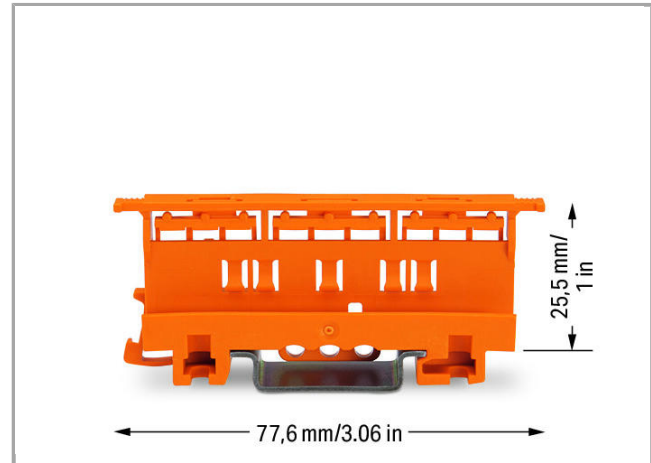
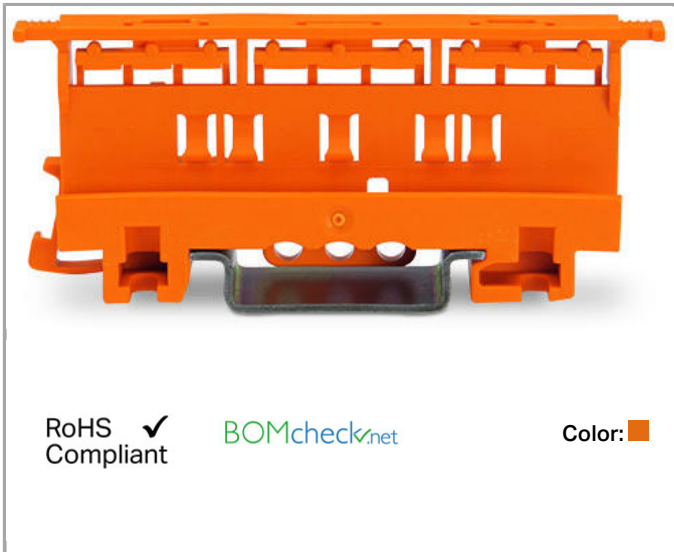


Data sheet | Item number: 221-500

Mounting carrier; 221 Series - 4 mm²; for DIN-35 rail mounting/screw mounting



221-500



Data

Geometrical Data

Width	17.5 mm / 0.689 inch
Height from upper-edge of DIN-35 rail	25.5 mm / 1.004 inch
Depth	77.6 mm / 3.055 inch

Material Data

Color	orange
Insulating material	Polyamide 66 (PA 66)
Flammability class per UL94	V0
Fire load	0 MJ
Weight	9.57 g

Commercial data

Country of origin	CN
GTIN	4055143421942
Customs Tariff No.	39269097900

Compatible products

Marking accessories



Item no.: 210-833
Marking strips; on reel; 6 mm wide; plain; Self-adhesive

210-833

Mounting adapter



Item no.: 222-505
Strain relief plate; for mounting carrier; 221 or 222 Series, can be snapped

222-505



Item no.: 222-510
Angled DIN-rail adapter; in combination with mounting carrier; 221-500 or 222-500; for DIN-35 rail mounting

222-510

Downloads

Documentation

Bid Text

221-500

doc
24.1 kB

[Download](#)

CAD/CAE - Smart Data

CAD data

3D Download 221-500

[URL](#)

[Download](#)

Subject to changes.