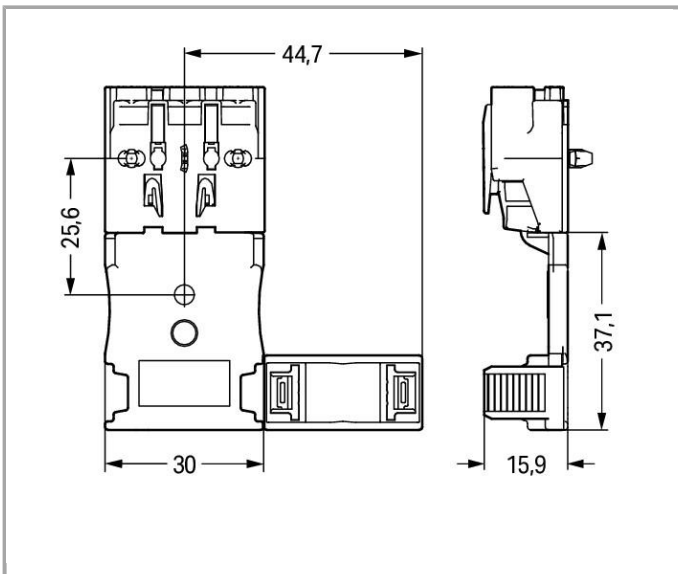
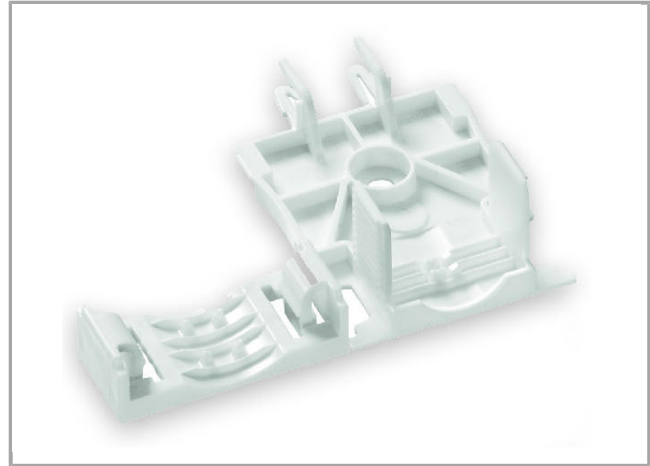
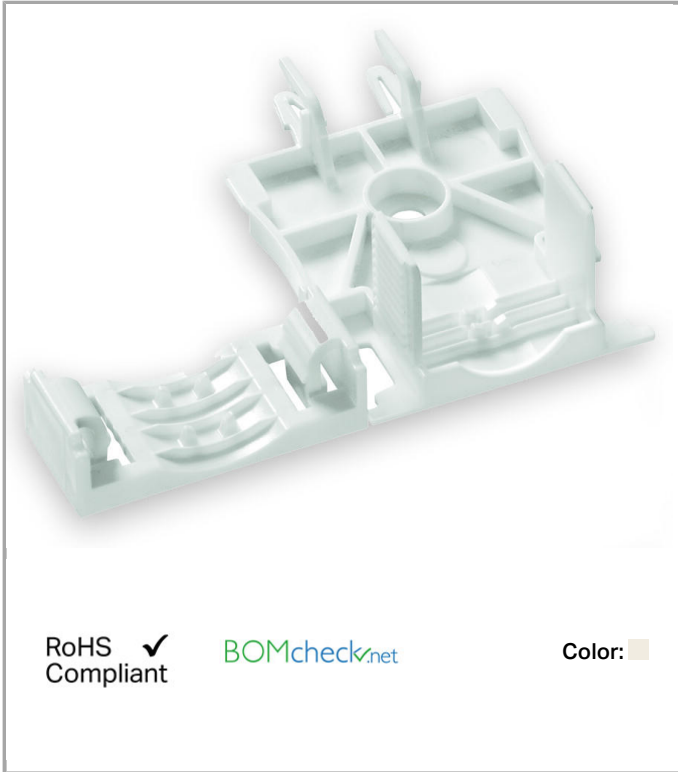


294-363



Data

Connection data

Number of connection types

1



Geometrical Data

Width	30 mm / 1.181 inch
Height	15.9 mm / 0.626 inch
Depth	37.1 mm / 1.461 inch

Material Data

Color	white
Fire load	0.112 MJ
Weight	3.74 g

Commercial data

Product Group	8 (Misc. Chassis Mount Blocks)
Country of origin	CH
GTIN	4050821127659
Customs Tariff No.	85389099990

Downloads

CAD/CAE - Smart Data

CAD data

3D Download 294-363	URL	Download
---------------------	-----	----------

Subject to changes.