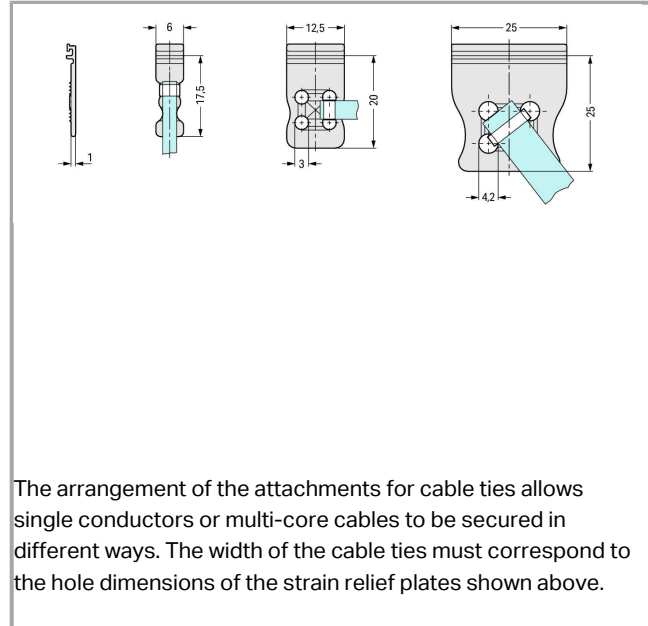




RoHS Compliant

[BOMcheck.net](https://www.bomcheck.net)

Color:



The arrangement of the attachments for cable ties allows single conductors or multi-core cables to be secured in different ways. The width of the cable ties must correspond to the hole dimensions of the strain relief plates shown above.

Data

Connection data

Number of connection types	1
----------------------------	---

Geometrical Data

Width	12.5 mm / 0.492 inch
-------	----------------------

Material Data

Color	light gray
Fire load	0.008 MJ
Weight	0.3 g

Commercial data

Product Group	3 (Multi Conn. System)
Country of origin	DE
GTIN	4017332405270
Customs Tariff No.	85389099990



Downloads

CAD/CAE - Smart Data

CAD data

3D Download 734-128

URL

Download

Subject to changes.
