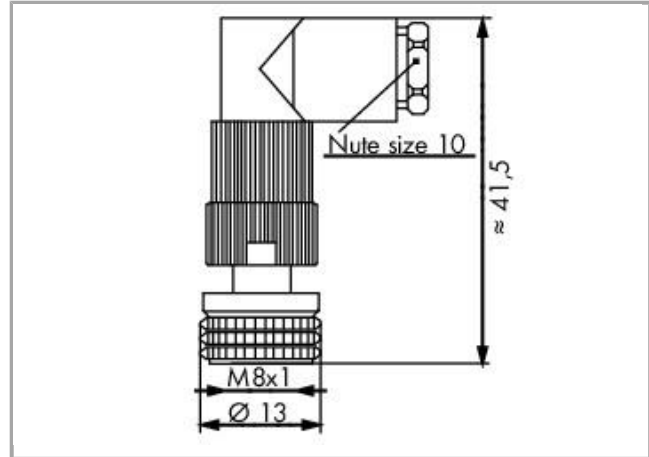
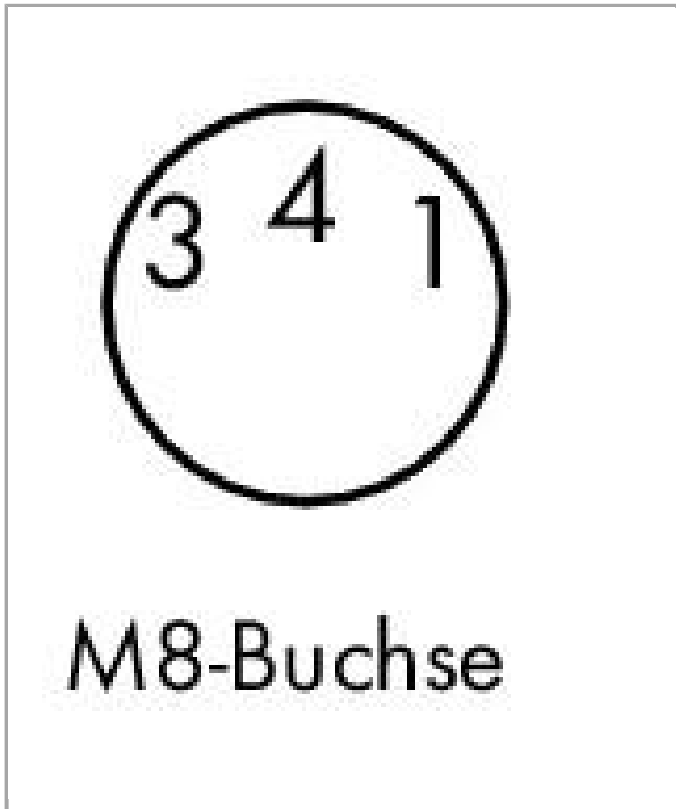


Data sheet | Item number: 756-9115/030-000

Connectors for sensor/actuator cable; 3-pole; M8 socket, angled

756-9115/030-000





Conductor sizes
 \varnothing 4 ... 5 mm / 0.14 ... 0.34 mm²

Data

Technical Data

Connection type	M8 socket
No. of poles	3
Leitungsanschlussrichtung zur Steckrichtung	90°

Connection data

Connection type (1)	Eindringtechnik
---------------------	-----------------

Mechanical data

Connectable sheathed cable diameter	4 ... 5 mm
Weight	14.3 g

Environmental Requirements

Protection class	IP67
------------------	------

Commercial data

Country of origin	DE
GTIN	4045454983338
Customs Tariff No.	85366990990



Downloads

Documentation

System Description

IP67 Cables and Pluggable Connectors

pdf
293.9 kB

Download

Subject to changes.