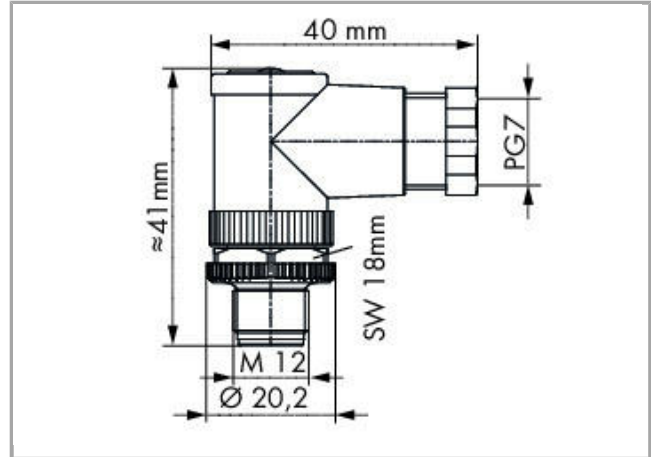


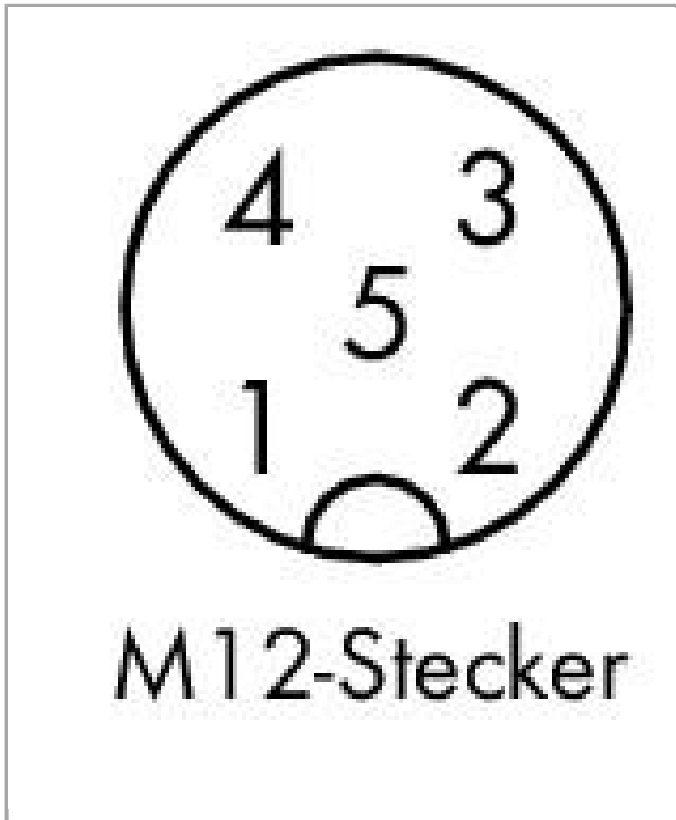
Data sheet | Item number: 756-9205/050-000

Connectors for sensor/actuator cable; M12 plug, angled; 5-pole



756-9205/050-000





Conductor size

Ø 6 ... 8 mm / 0.14 - 0.5 mm²**Data****Technical Data**

Connection type	M12 plug
No. of poles	5
Leitungsanschlussrichtung zur Steckrichtung	90°
Steckgesichtkodierung Leitung/Adapter 1 1	A coded

Connection data

Connection type (1)	Federtechnik
---------------------	--------------

Mechanical data

Connectable sheathed cable diameter	4 ... 6 mm
Weight	25 g

Environmental Requirements

Protection class	IP67
------------------	------

Commercial data

Country of origin	DE
-------------------	----



GTIN	4044918977500
Customs Tariff No.	85369010000

Downloads

Documentation

System Description

IP67 Cables and Pluggable Connectors	pdf 293.9 kB	Download
--------------------------------------	-----------------	----------

Subject to changes.
