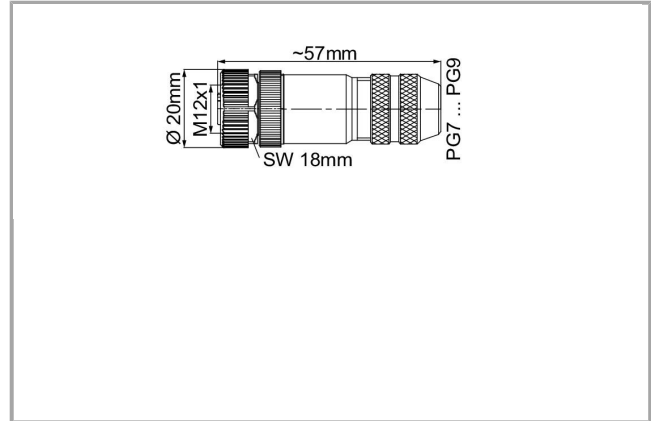
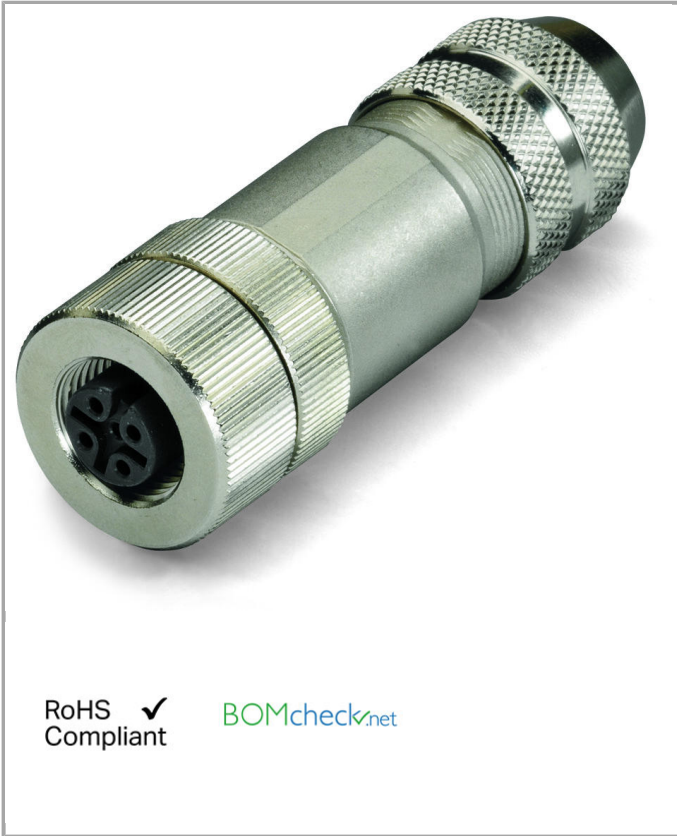


Data sheet | Item number: 756-9208/060-000

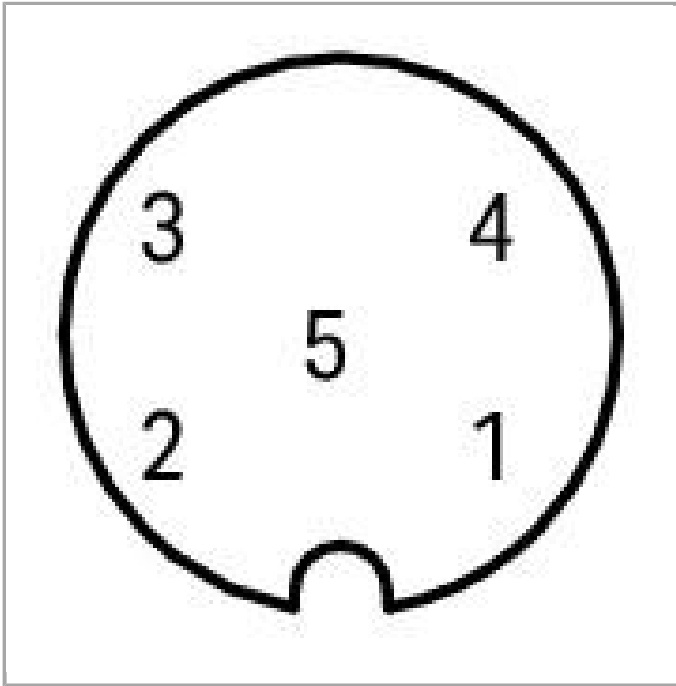
M12 socket; A-coded; straight; configurable

756-9208/060-000



RoHS  Compliant

[BOMcheck.net](https://www.bomcheck.net)



Conductor size

Ø 6 ... 8 mm / 0.14 - 0.5 mm<sup>2</sup>**Data****Technical Data**

Connection type	M12 socket
No. of poles	5
Anschlusspunkt geschirmt	yes
Leitungsanschlussrichtung zur Steckrichtung	0°
Steckgesichtskodierung Leitung/Adapter 1 1	A coded

**Connection data**

Connection type (1)	Federtechnik
---------------------	--------------

**Mechanical data**

Connectable sheathed cable diameter	6 ... 8 mm
Weight	13.5 g

**Environmental Requirements**

Protection class	IP67
------------------	------

**Commercial data**

Country of origin	DE
GTIN	4045454640231
Customs Tariff No.	85369010000



Downloads

**Documentation**

System Description

767 Series, SPEEDWAY accessories, data sheet	pdf 1.0 MB	Download
IP67 Cables and Pluggable Connectors	pdf 293.9 kB	Download

Subject to changes.