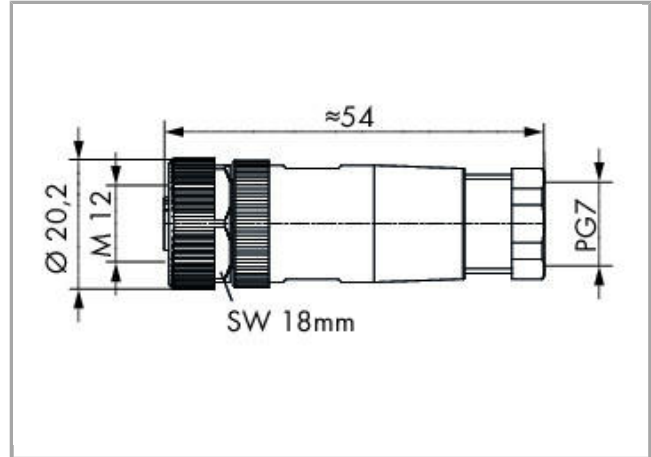


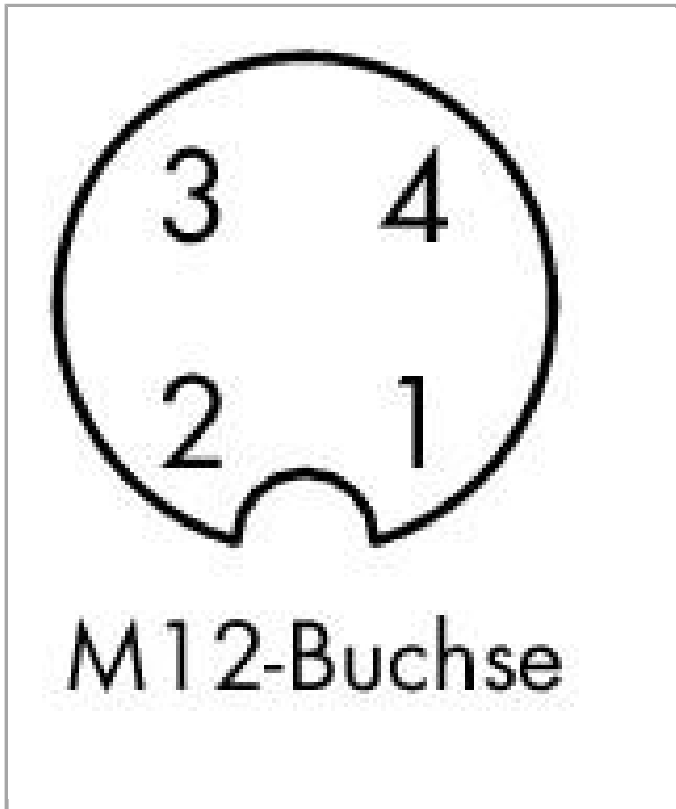
Data sheet | Item number: 756-9212/040-000

Connectors for sensor/actuator cable; M12 socket, straight; 4-pole



756-9212/040-000





## Conductor size

 $\varnothing 6 \dots 8 \text{ mm} / 0.14 - 0.5 \text{ mm}^2$ 

## Data

## Technical Data

Connection type	M12 socket
No. of poles	4
Leitungsanschlussrichtung zur Steckrichtung	0°
Steckgesichtskodierung Leitung/Adapter 1 1	A coded

## Connection data

Connection type (1)	Federtechnik
---------------------	--------------

## Mechanical data

Connectable sheathed cable diameter	4 ... 6 mm
Weight	25.3 g

## Environmental Requirements

Protection class	IP67
------------------	------

## Commercial data

Country of origin	DE
GTIN	4045454695118



Customs Tariff No.

85369010000

---

**Downloads**

**Documentation**

**System Description**

IP67 Cables and Pluggable Connectors

pdf  
293.9 kB

[Download](#)

---

Subject to changes.

---