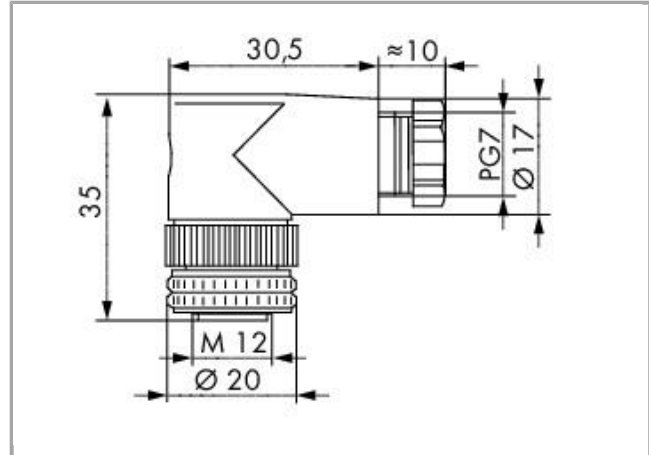


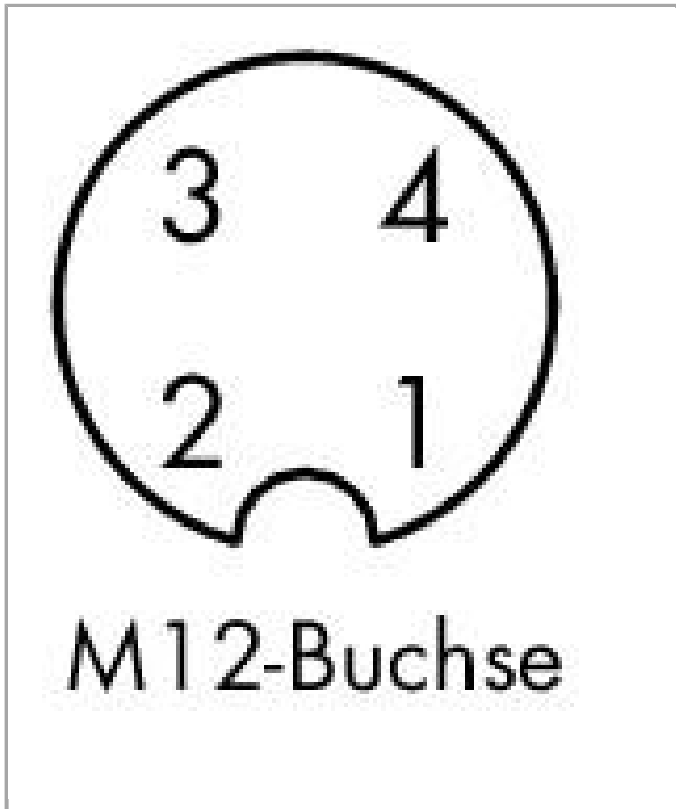
Data sheet | Item number: 756-9214/040-000

Connectors for sensor/actuator cable; M12 socket, angled; 4-pole



756-9214/040-000





Anschließbare Leitung  
 $\varnothing 4 \dots 6 \text{ mm} / 0,25 - 0,75 \text{ mm}^2$

#### Data

##### Technical Data

Connection type	M12 socket
No. of poles	4
Leitungsanschlussrichtung zur Steckrichtung	90°
Steckgesichtskodierung Leitung/Adapter 1 1	A coded

##### Connection data

Connection type (1)	Schraubtechnik
---------------------	----------------

##### Mechanical data

Connectable sheathed cable diameter	4 ... 6 mm
Weight	24 g

##### Environmental Requirements

Protection class	IP67
------------------	------

##### Commercial data

Country of origin	HU
GTIN	4045454383602



Customs Tariff No.

85444290900

---

**Downloads**

**Documentation**

**System Description**

IP67 Cables and Pluggable Connectors

pdf  
293.9 kB

[Download](#)

---

Subject to changes.

---