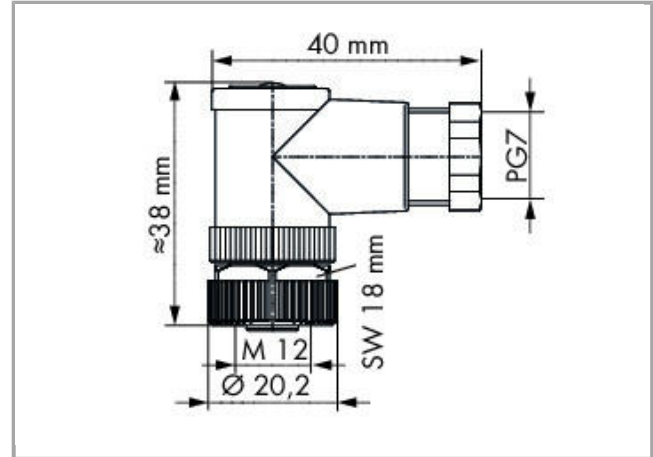


Data sheet | Item number: 756-9215/040-000

Connectors for sensor/actuator cable; M12 socket, angled; 4-pole

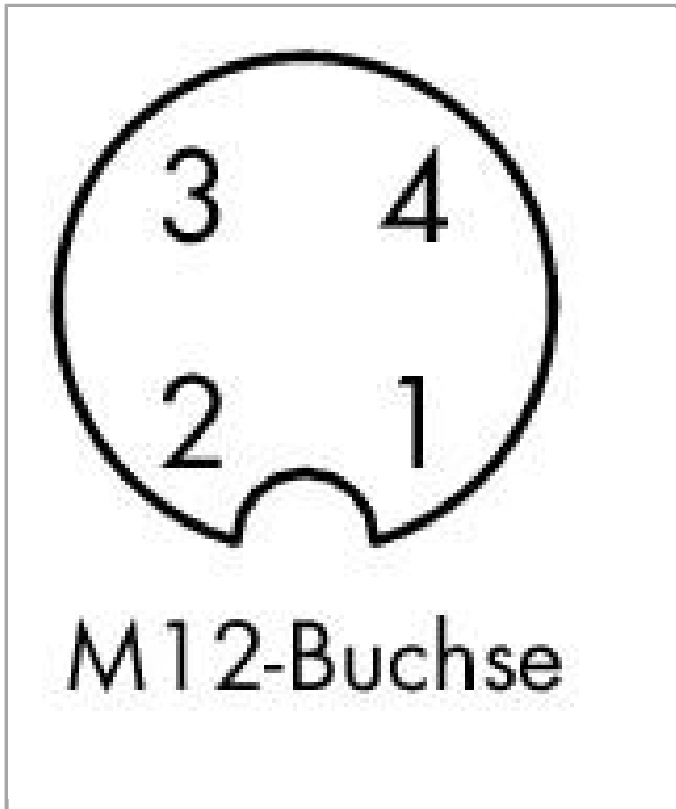


756-9215/040-000



RoHS Compliant

[BOMcheck.net](https://www.bomcheck.net)



Conductor size

 $\varnothing 6 \dots 8 \text{ mm} / 0.14 - 0.5 \text{ mm}^2$

Data

Technical Data

Connection type	M12 socket
No. of poles	4
Leitungsanschlussrichtung zur Steckrichtung	90°
Steckgesichtskodierung Leitung/Adapter 1 1	A coded

Connection data

Connection type (1)	Federtechnik
---------------------	--------------

Mechanical data

Connectable sheathed cable diameter	4 ... 6 mm
Weight	25.3 g

Environmental Requirements

Protection class	IP67
------------------	------

Commercial data

Country of origin	DE
GTIN	4045454686130



Customs Tariff No.

85369010000

Downloads

Documentation

System Description

IP67 Cables and Pluggable Connectors

pdf
293.9 kB

[Download](#)

Subject to changes.
