

Data sheet | Item number: 756-9216/050-000

Connectors for sensor/actuator cable; 5-pole; M12 socket, angled

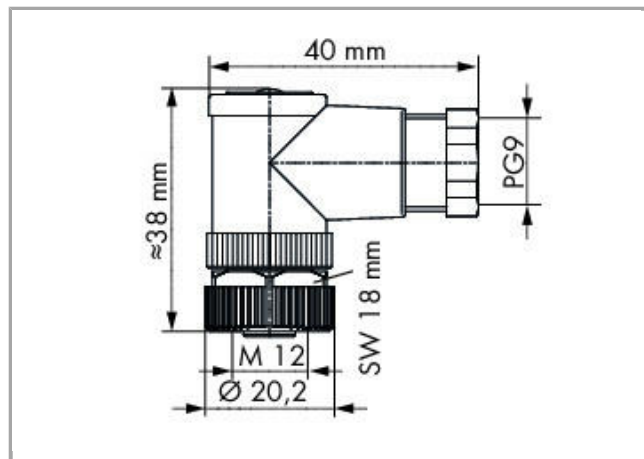


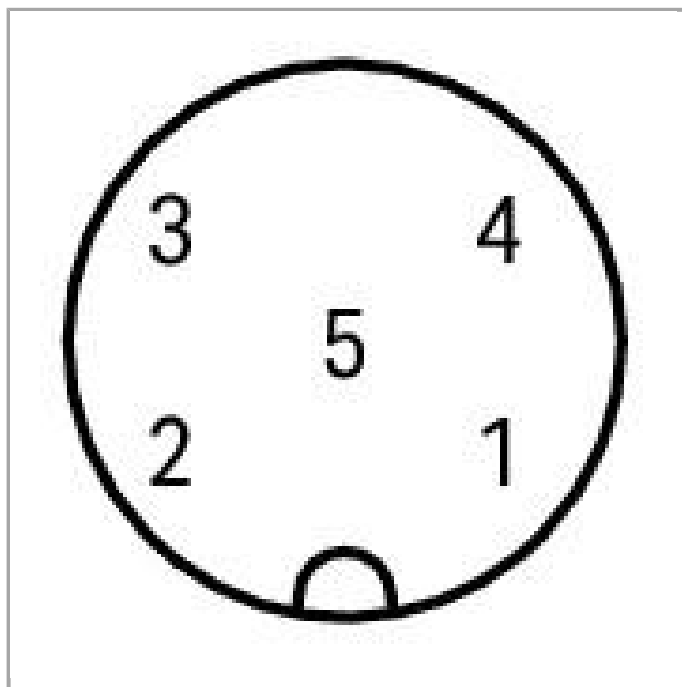
756-9216/050-000



RoHS
Compliant

[BOMcheck.net](https://www.bomcheck.net)





Conductor size
 \varnothing 6 ... 8 mm / 0.14 - 0.5 mm²

Data

Technical Data

Connection type	M12 socket
No. of poles	5
Leitungsanschlussrichtung zur Steckrichtung	90°
Steckgesichtskodierung Leitung/Adapter 1 1	A coded

Connection data

Connection type (1)	Federtechnik
---------------------	--------------

Mechanical data

Connectable sheathed cable diameter	6 ... 8 mm
Weight	31 g

Environmental Requirements

Surrounding air (operating) temperature	-25 ... 85 °C
Protection class	IP67

Commercial data

Country of origin	DE
GTIN	4050821114369
Customs Tariff No.	85369010000



Downloads

Documentation

System Description

767 Series, SPEEDWAY accessories, data sheet

pdf
1.0 MB

Download

Subject to changes.
