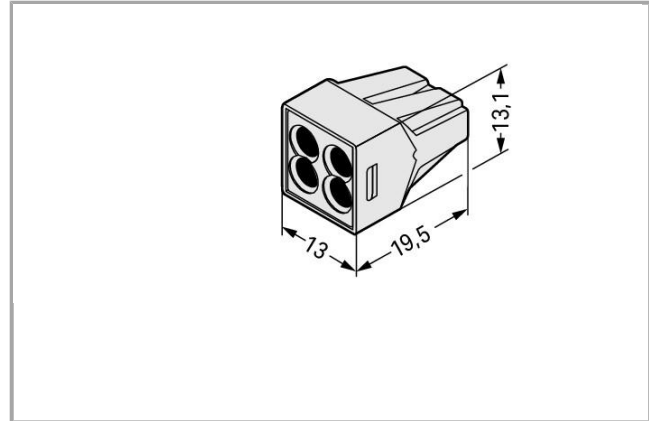


## Data sheet | Item number: 773-494

PUSH WIRE® connector for junction boxes; for solid and stranded conductors; for Ex applications; max. 2.5 mm<sup>2</sup>; 4-conductor; light gray housing; light gray cover; max. ambient operating temp. 60 °C



773-494



### Item description

#### Note:

##### Terminating Aluminum Conductors

WAGO spring clamp terminal blocks are suitable for solid aluminum conductors up to 4 mm<sup>2</sup>/12 AWG if WAGO "Alu-Plus" Contact Paste is used for termination.

##### "Alu-Plus" Contact Paste Advantages:

- Automatically destroys the oxide film during clamping.
- Prevents fresh oxidation at the clamping point.
- Prevents electrolytic corrosion between aluminum and copper conductors (in the same terminal block).
- Provides long-term protection against corrosion.

Using terminal blocks with PUSH WIRE® Spring Pressure Connection Technology, **aluminum conductors must first be cleaned with a blade** and then immediately be inserted into the clamping units filled with "Alu-Plus" Contact Paste.

It is also possible to apply WAGO "Alu-Plus" **additionally** on the whole surface of the aluminum conductor before termination.

Please note that the nominal currents must be adapted to the reduced conductivity of the aluminum conductors:

2.5 mm<sup>2</sup> (14 AWG) = 16 A

4 mm<sup>2</sup> (12 AWG) = 22 A

**Safety information 1:**

275 V at a distance < 10 mm to parts of other potentials

**Safety information 2:**

To be used only in conjunction with a mounting carrier (773-331).

**Data**

**Electrical data**

Rated voltage EN (Ex e II)	550 V
----------------------------	-------

**Ratings per IEC/EN 60664-1**

Rated current	24 A
---------------	------

**Connection data**

Connection technology	PUSH WIRE <sup>®</sup>
Actuation type	Push-in
Connectable conductor materials	Copper Aluminum
Solid conductor	0.75 ... 2.5 mm <sup>2</sup> / 18 ... 14 AWG
Strip length	12 mm / 0.47 inch
Total number of connection points	4
Total number of potentials	1
Type of wiring	Side-entry wiring

**Geometrical Data**

Width	13 mm / 0.512 inch
Height	13.1 mm / 0.516 inch
Depth	19.5 mm / 0.768 inch

**Material Data**

Color	light gray
Cover color	light gray
Flammability class per UL94	V2
Fire load	0.053 MJ
Weight	2.432 g

**Environmental Requirements**


Surrounding air (operating) temperature	60 °C
Continuous operating temperature	105 °C

## Commercial data


Product Group	7 (Push Wire Conn.)
Country of origin	CN
GTIN	4055143026512
Customs Tariff No.	85369010000

## Approvals / Certificates

### Ex-Approvals


Logo	Approval	Additional Approval Text	Certificate name
	ATEX UL International Demko A/S	EN 60079	DEMKO 03 ATEX 131845U (II 2 G Ex eIIC Gb)

### UL-Approvals

Logo	Approval	Additional Approval Text	Certificate name
	UL UL International Germany GmbH	UL 486C	E69654

## Compatible products

### Mounting adapter

	Item no.: 773-331 Mounting carrier; for Ex applications; 773 Series - 2.5 mm <sup>2</sup> / 6 mm <sup>2</sup> ; for DIN-35 rail mounting/screw mounting	773-331
--	--	---------

## Downloads

### Documentation

#### Bid Text

773-494	doc 25.6 kB	Download
---------	----------------	----------

## CAD/CAE - Smart Data

### CAD data

3D Download 773-494	URL	Download
---------------------	-----	----------



Subject to changes.

---