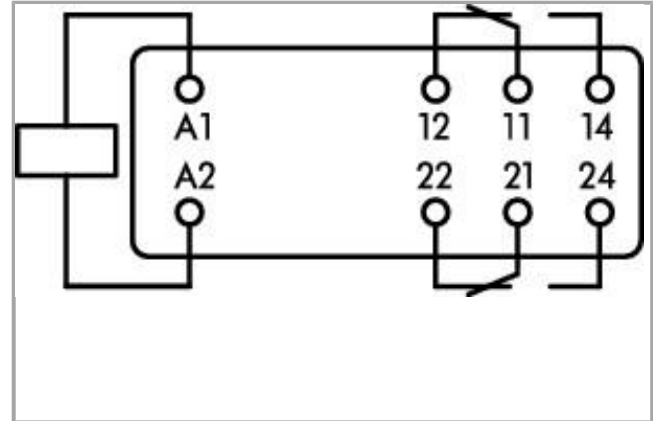


Data sheet | Item number: 788-177

Basic relay; Nominal input voltage: 115 VAC; 2 changeover contacts; Limiting continuous current: 8 A; with gold contacts; Module width: 13 mm; Module height: 15 mm



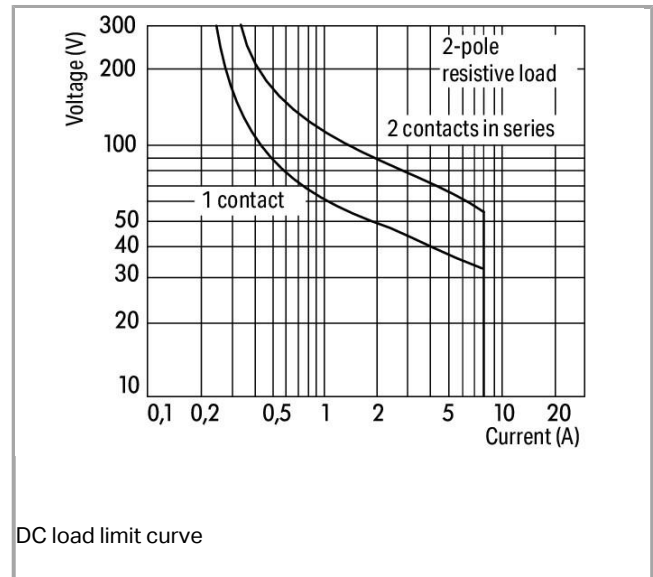
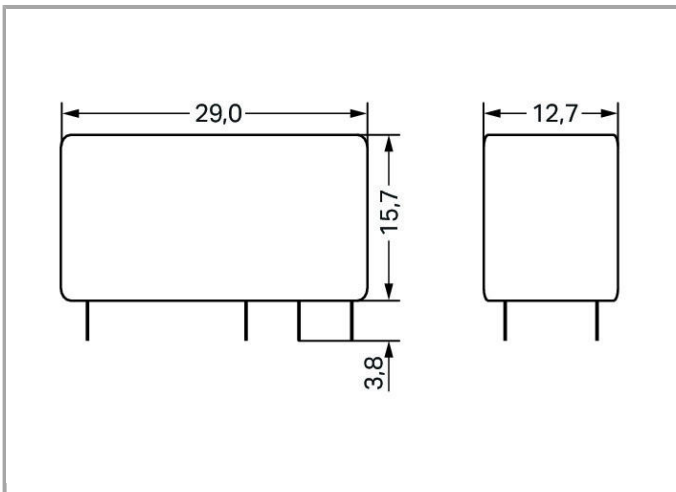
788-177



RoHS  Compliant

[BOMcheck.net](https://www.bomcheck.net)

Similar to picture



DC load limit curve

Item description

**Note:**

To prevent damaging the gold layer, 30 VDC switching voltages and 50 mA currents shall not be exceeded. Higher switching power evaporates the gold layer. The resulting deposits in the housing may reduce the service life.

**Data****Technical Data****Control circuit**

Nominal input voltage $U_N$	AC 115 V
-----------------------------	----------

**Load circuit:**

Number of changeover/switchover contacts	2
Contact material (relay)	AgNi + Au
Limiting continuous current	8 A
Max. switching voltage	AC 250 V
Max. switching power (resistive)	AC 2,000 VA; DC see load limit curve
Switching capacity	AC-15: 3 A / AC 250 V; DC-13: 2 A / DC 24 V
Recommended minimum load	5 V / 2 mA / 50 mW
Pull-in time (typ.)	7 ms
Drop-out time (typ.)	3 ms
Electrical life (N.O.; resistive load; 23 °C)	$10 \times 10^3$ switching operations
Mechanical life (N.O.; resistive load; 23 °C)	$30 \times 10^6$ switching operations

**Safety and protection:**

Dielectric strength, control/load circuit (AC, 1 min)	5 kVrms
Dielectric strength open contact (AC, 1 min)	1 kVrms
Dielectric strength, load/load circuit (AC, 1 min)	2.5 kVrms
Protection class	IP40

**Geometrical Data**

Width	12.7 mm / 0.5 inch
Height from the surface	15.7 mm / 0.618 inch
Depth	29 mm / 1.142 inch

**Mechanical data**

Type of mounting	Pluggable module
------------------	------------------

## Material Data

Weight	12.6 g
--------	--------

## Environmental Requirements

Surrounding air (operating) temperature at U <sub>N</sub>	-40 ... 70 °C
Surrounding air (storage) temperature	-40 ... 85 °C

## Standards and specifications

Standards/specifications	EN 61810-1
--------------------------	------------

## Commercial data

Product Group	6 (Interface Electronics)
Country of origin	DE
GTIN	4050821867890
Customs Tariff No.	85364900990

## Compatible products

### General accessories



Item no.: 788-102	788-102
Relay socket; 2 changeover contacts; for 15 mm basic relays	

## Downloads

### Documentation

#### Bid Text

788-177	Oct 6, 2014	doc	Download
Zubehör Serie 788		25.6 kB	

### Additional Information

Disposal; Electrical and electronic equipment, Packaging	V 1.0.0	pdf	Download
		265.8 kB	

Subject to changes.