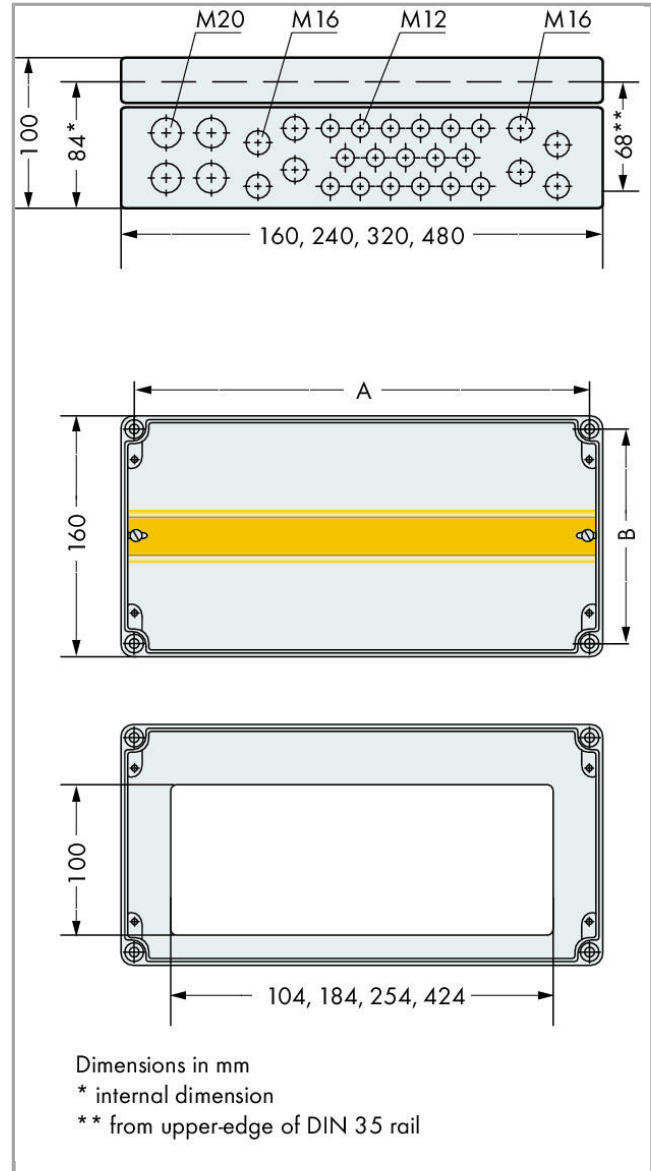


Data sheet | Item number: 850-825

IP65 enclosure; Aluminium (RAL 7032); WxHxD (160x100x160 mm); 9 x M12,
4 x M20



850-825



Item description

Included:

- Aluminum enclosure, G AL Si 12 alloy / DIN 1725
- Stainless steel cover screws, captive
- Inspection glass, incl. attachment panel for customer marking (marking not included in scope of supply)
- Mounting holes (4 mounting channels located outside the sealed enclosure)



- Metric cable grips (brass, nickel-plated), incl. filler plugs; M12 cable grip, cable diameter 3–6mm; M16 cable grip, cable diameter 5–9mm; M20 cable grip, cable diameter 9–13mm
- 1 DIN 35/7.5 rail
- Tongue and groove system, seal with groove in enclosure cover
- Oil and petroleum-resistant neoprene round chord seal
- Grounding link in enclosure
- Pebble gray, RAL 7032

The "number of I/O modules" also takes fieldbus couplers and bus end modules into account.

This applies to 12mm-wide I/O modules. I/O modules with a width of 24mm count as two I/O modules.

Data

Technical Data

No. of I/O modules	4
--------------------	---

Geometrical Data

Width	160 mm / 6.299 inch
Height	100 mm / 3.937 inch
Depth	160 mm / 6.299 inch
Panel cutout (W x H)	(142 x 142) mm

Mechanical data

Leitungsdurchführungen, Anzahl	9
Leitungsdurchführungen, Typ	M12 (3 ... 6 mm cable diameter)
Leitungsdurchführungen, Anzahl (3)	4
Leitungsdurchführungen, Typ (3)	M20 (9 ... 13 mm cable diameter)

Material Data

Weight	1779.6 g
--------	----------

Environmental Requirements

Protection class	IP65
------------------	------

Commercial data

Product Group	15 (Remote I/O)
Country of origin	DE
GTIN	4017332819602
Customs Tariff No.	85381000900

Compatible products

General accessories



Item no.: **850-903**

Pole mounting; 4 clamping brackets; 2 molded rails and 4 clamping profiles in sheet steel; 2 tightening straps in stainless steel

850-903

Downloads

Documentation

Bid Text

850-825

doc
32.3 kB

Download

System Description

IP65 System Housing

pdf
490.1 kB

Download

Subject to changes.