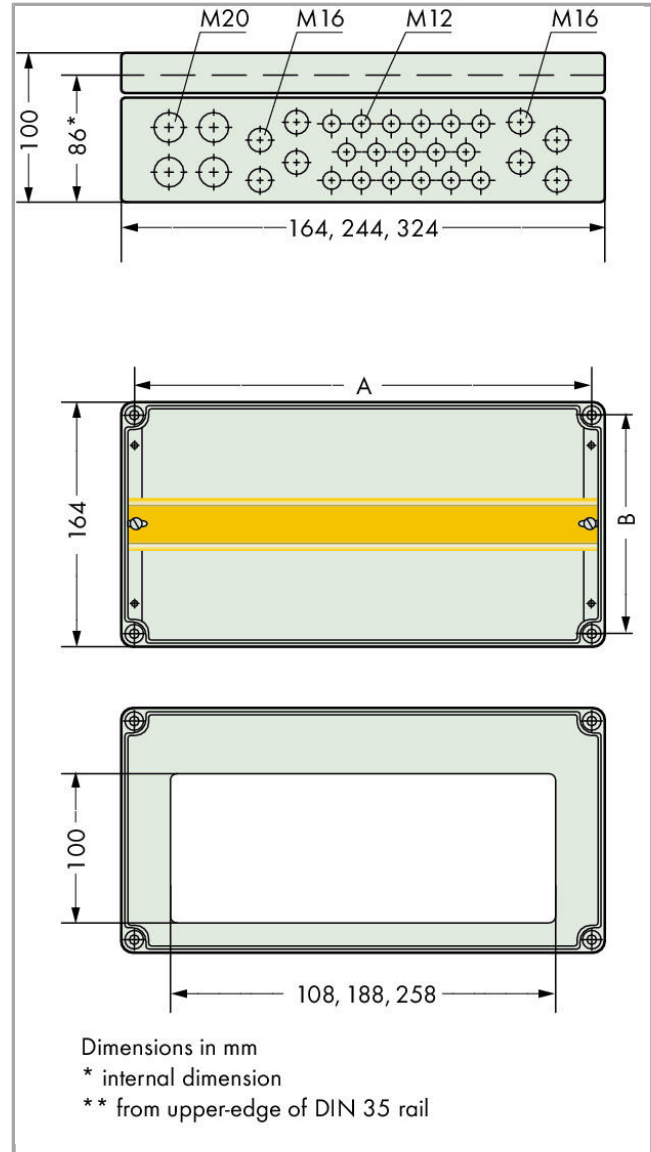
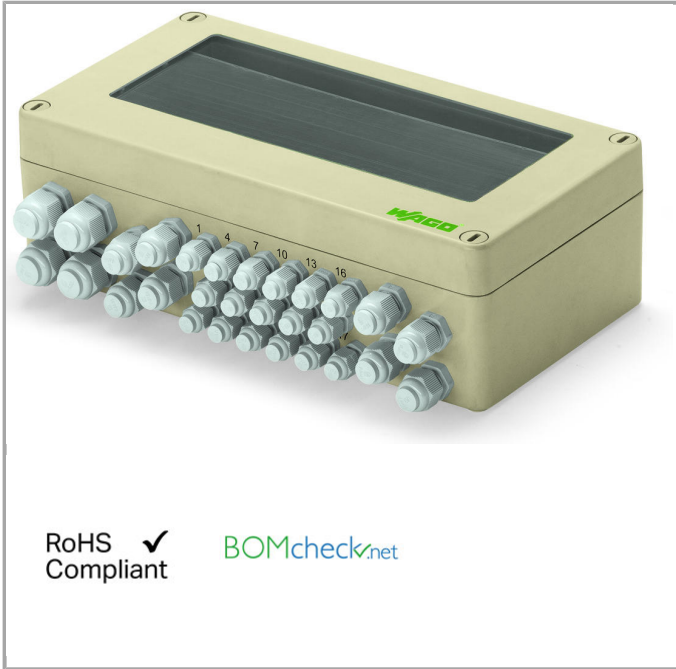


Data sheet | Item number: 850-834

IP65 enclosure; Polyester (RAL 7032); WxHxD (164x100x164 mm); 9 x M12,
4 x M20



850-834



Item description

* NOTICE:

Fieldbus coupler and end modules must be taken into account!

This applies to 12 mm wide I/O modules. I/O modules with a width of 24 mm count as two I/O modules.

Included:

- Polyester enclosure, glass fiber-reinforced, halogen-free, as V0 version (self-extinguishing)
- Polyamide cover screws, captive



- Inspection glass, incl. attachment panel for customer marking (marking not included in scope of supply)
- Mounting holes (4 mounting channels located outside the sealed enclosure)
- Metric cable grips (polyamide PA 6), incl. filler plugs; M12 cable grip, 3–6 mm cable diameter ; M16 cable grip, 5–9 mm cable diameter; M20 cable grip, 9–13 mm cable diameter
- 1 x DIN 35/7.5 rail
- Oil and petroleum-resistant neoprene round chord seal
- Pebble gray, RAL 7032

Data

Technical Data

No. of I/O modules	4
--------------------	---

Geometrical Data

Width	164 mm / 6.457 inch
Height	100 mm / 3.937 inch
Depth	164 mm / 6.457 inch
Panel cutout (W x H)	(142 x 142) mm

Mechanical data

Leitungsdurchführungen, Anzahl	9
Leitungsdurchführungen, Typ	M12 (3 ... 6 mm cable diameter)
Leitungsdurchführungen, Anzahl (3)	4
Leitungsdurchführungen, Typ (3)	M20 (9 ... 13 mm cable diameter)

Material Data

Weight	1422.3 g
--------	----------

Environmental Requirements

Protection class	IP65
------------------	------

Commercial data

Product Group	15 (Remote I/O)
Country of origin	DE
GTIN	4017332819626
Customs Tariff No.	85381000900

Compatible products

General accessories



Item no.: 850-903

Pole mounting; 4 clamping brackets; 2 molded rails and 4 clamping profiles in sheet steel; 2 tightening straps in stainless steel

850-903

Downloads

Documentation

Bid Text

850-834

doc
32.3 kB

[Download](#)

System Description

IP65 System Housing

pdf
490.1 kB

[Download](#)

Subject to changes.