

Data sheet | Item number: 852-1210

SFP Module 1000BASE; LX Single-Mode 1310 nm LC; 10 km; Extended temperature range; DDM



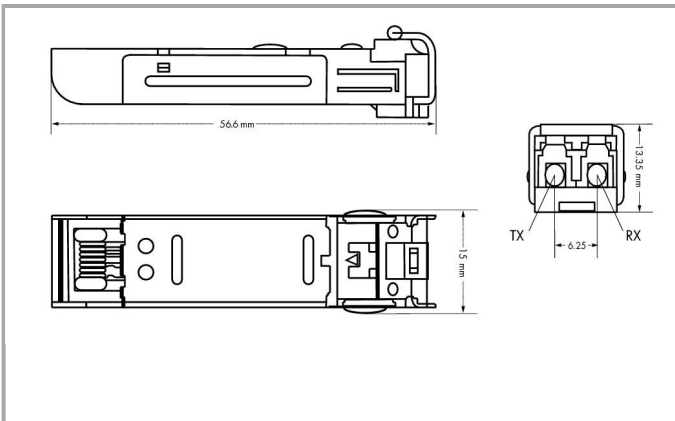
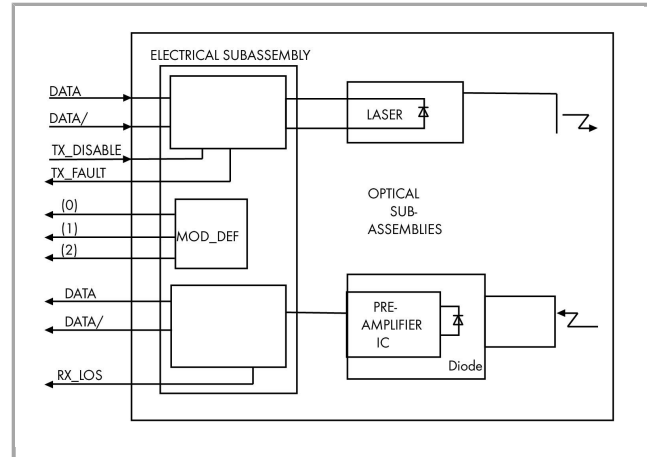
852-1210



RoHS  Compliant

[BOMcheck.net](https://www.bomcheck.net)

Color:



Item description

Features:

- Duplex LC optical connector
- Small Form-Factor Pluggable (SFP) industry-standard design
- Compliant with IEEE802.3z Gigabit ETHERNET Standard
- Differential LVPECL inputs and outputs
- Power supply: 3.3 V



- TTL signal detect indicator
- Hot-pluggable capability

## Data

### Technical Data

LWL-Fasertyp	Single-mode
--------------	-------------

### Connection data

Connection technology: communication/fieldbus	1 x SFP, LC fiber-optic connectors
Anschlussanforderung zulässige Leitungslänge	10000 m
Connection requirement (permissible cable type)	Single-mode fiber 9/125 µm, wavelength 1310 nm

### Geometrical Data

Width	13.4 mm / 0.528 inch
Height	13.3 mm / 0.524 inch
Depth	56.6 mm / 2.228 inch

### Mechanical data

Weight	17 g
Color	silver-colored

### Environmental Requirements

Surrounding air (operating) temperature	-40 ... 85 °C
Surrounding air (storage) temperature	-40 ... 85 °C

### Commercial data

Country of origin	TW
GTIN	4055143394185
Customs Tariff No.	85176200000

## Downloads

### Documentation

#### Bid Text

852-1210	doc	Download
	27.1 kB	

#### Additional Information

Disposal; Electrical and electronic equipment, Packaging	V 1.0.0	pdf	Download
--	---------	-----	----------



Subject to changes.

---