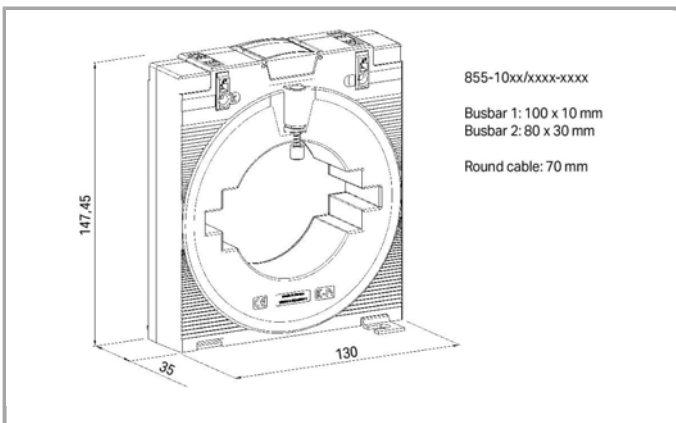
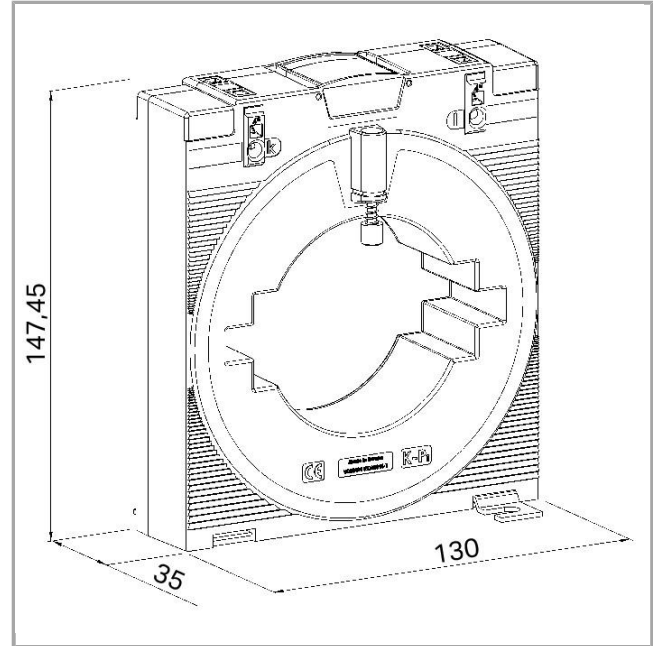
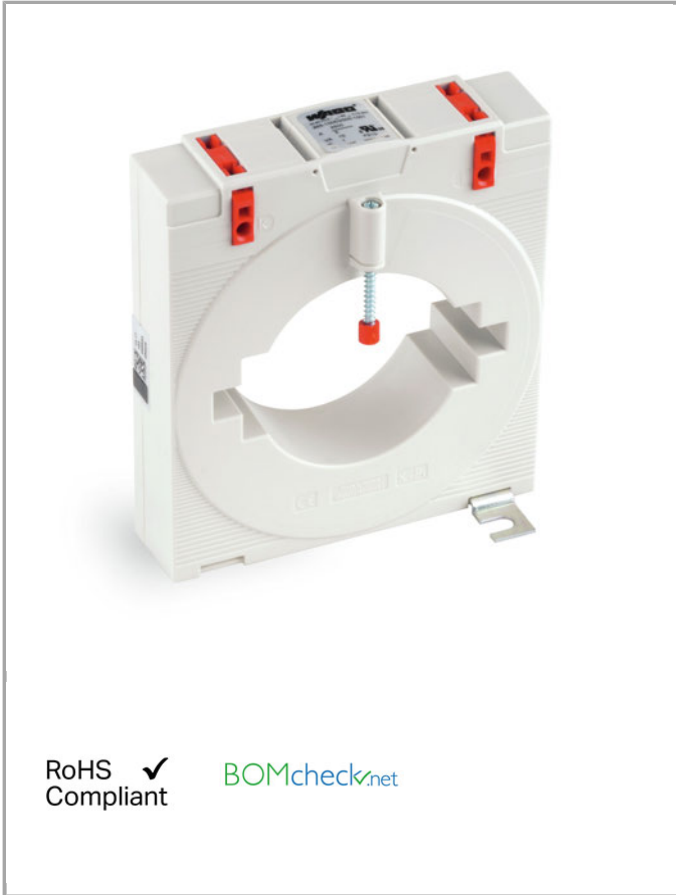


Data sheet | Item number: 855-1001/2500-1001

Plug-in current transformer; Primary rated current: 2500 A; Secondary rated current: 1 A; Rated power: 10 VA; Accuracy class: 1



855-1001_2500-1001



Item description

Short description:

The 855 Series Plug-In Current Transformers are inductive, single-conductor current transformers. Due to the measurement principle used, these current transformers are exclusively designed for AC network applications.

Features:

- Screwless CAGE CLAMP® connection technology
- Several mounting options available
- Vibration- and shock-resistant
- High mechanical retention forces
- High current-carrying capacity
- Continuous overload of 120 % the nominal primary current
- Low-voltage current transformer for operating voltages up to max. 1.2 kV
- Can be used in 690 V power networks
- UL recognized components

Data

Technical Data

Input – current transformer

| | |
|--|---|
| Primary rated current | 2500 A |
| Rated continuous thermal current I_{cth} | $1.2 \times I_N$ |
| Rated short-time thermal current I_{th} | $60 \times I_N / 1 \text{ s (max. 100 kA / 1 s)}$ |
| Overcurrent limiting factor | FS5 / FS10 (type dependent, see type plate inscription) |
| Rated frequency | 50 60 Hz |

Output – Current transformer

| | |
|-------------------------------------|--------------------------|
| Highest voltage for equipment U_m | 1.2 kV _{rms} AC |
| Secondary rated current | 1 A |
| Rated power S_r | 10 VA |

Measurement error

| | |
|----------------|---|
| Accuracy class | 1 |
|----------------|---|

Safety and protection:

| | |
|-------------------------------------|--------------------------|
| Highest voltage for equipment U_m | AC 1.2 kV _{rms} |
| Test voltage | AC 6 kV; 50 Hz; 1 min |

Connection data

| | |
|-------------------------|------------------------------------|
| Connection technology | CAGE CLAMP® |
| Solid conductor | 0.08 4 mm ² / 28 12 AWG |
| Fine-stranded conductor | 0.08 4 mm ² / 28 12 AWG |

| | | | |
|--------------|---|--------------|-----------|
| Strip length | 9 | 10 mm / 0.35 | 0.39 inch |
|--------------|---|--------------|-----------|

Geometrical Data

| | |
|--------|------------------------|
| Width | 130 mm / 5.118 inch |
| Height | 147.45 mm / 5.805 inch |
| Depth | 52 mm / 2.047 inch |

Mechanical data

| | |
|------------------|---|
| Type of mounting | Current transformers (closed) Secured to mounting plate Mounting on round cable |
|------------------|---|

Material Data

| | |
|------------------|-------|
| Insulation class | E |
| Weight | 396 g |

Environmental Requirements

| | |
|---|-----------|
| Surrounding air (operating) temperature | -5 50 °C |
| Surrounding air (storage) temperature | -25 70 °C |
| Max. operating altitude | 1000 m |

Standards and specifications


| | |
|--------------------------|-------------------------------------|
| Conformity marking | CE |
| Standards/specifications | EN 61869-1; EN 61869-2; UL: E356480 |

Commercial data

| | |
|--------------------|---------------|
| Country of origin | DE |
| GTIN | 4055143262965 |
| Customs Tariff No. | 85043129900 |


Approvals / Certificates

UL-Approvals








| Logo | Approval | Additional Approval Text | Certificate name |
|--|--------------------------------------|--------------------------|------------------|
|  | UL Underwriters Laboratories Inc. | - | E356480 |

Compatible products

tools

| | | |
|--|---|---------|
|  | Item no.: 210-720 Operating tool; Blade: 3.5 x 0.5 mm; with a partially insulated shaft | 210-720 |
|--|---|---------|

General accessories

| | | |
|--|--|----------------------|
|  | Item no.: 2007-8873 Compact terminal block; for current and voltage transformers; 6,00 mm ² ; multicoloured | 2007-8873 |
|  | Item no.: 2007-8874 Compact terminal block; for current and voltage transformers; 6,00 mm ² ; multicoloured | 2007-8874 |
|  | Item no.: 2007-8875 Compact terminal block; for current transformer circuit; 6,00 mm ² ; multicoloured | 2007-8875 |
|  | Item no.: 2007-8876 Compact terminal block; for 3-phase current transformer circuit; 6,00 mm ² ; multicoloured | 2007-8876 |
|  | Item no.: 2007-8877 Compact terminal block; for current transformer circuit; 6,00 mm ² ; multicoloured | 2007-8877 |
|  | Item no.: 2857-570/024-001 3-Phase Power Measurement Module; 3x400/690 V/1 A; Modbus RTU; Digital output; Configuration via software; Supply voltage: 24 VDC | 2857-570 /024-001 |
|  | Item no.: 857-550 Current signal conditioner; Current input signal; Current and voltage output signal; Digital output; Configuration via software; Supply voltage: 24 VDC; 6 mm module width; 2,50 mm ² | 857-550 |

assembling

| | | |
|--|--|----------|
|  | Item no.: 855-9910 Quick-mount kit | 855-9910 |
|--|--|----------|

Downloads

Documentation

Additional Information

| | | | |
|--|---------|-----------------|----------|
| Disposal; Electrical and electronic equipment, Packaging | V 1.0.0 | pdf 265.8 kB | Download |
|--|---------|-----------------|----------|

Engineering-Software

Software for Interface-Products

| | | | |
|---|--------------------------|----------------|----------|
| Interface-Konfigurationssoftware FULL Das Full-Setup beinhaltet neben der WAGO-Interface-Konfigurations-Software zusätzlich die Installation für das Microsoft .NET Framework. | 1.6.2.11 Jan 14, 2019 | exe 97.5 MB | Download |
| Interface-Konfigurationssoftware SMALL | 1.6.2.11 | exe | Download |



Das Small-Setup beinhaltet nur die WAGO-Interface-Konfigurations-Software.

Jan 14, 2019

47.1 MB

CAD/CAE - Smart Data

CAD data

3D Download 855-1001/2500-1001

URL

Download

EPLAN

EPLAN Data Portal

Download

WSCAD

WSCAD Universe

Download

Subject to changes.
