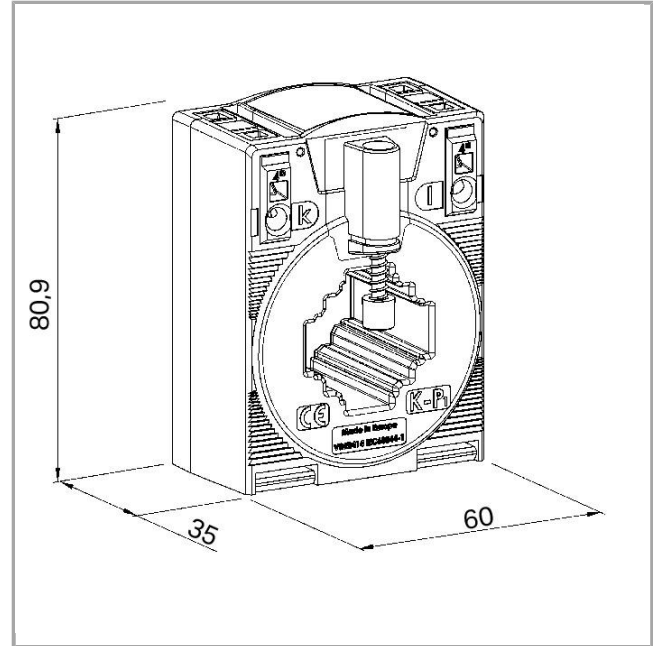


Data sheet | Item number: 855-301/200-501

Plug-in current transformer; Primary rated current: 200 A; Secondary rated current: 1 A; Rated power: 5 VA; Accuracy class: 1

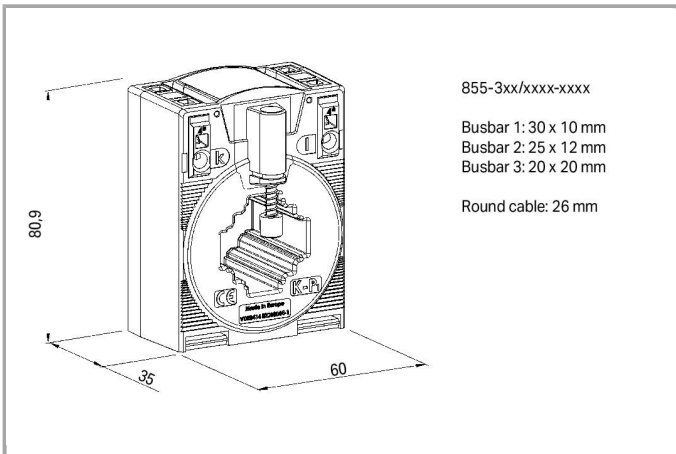


855-301/200-501



RoHS Compliant

[BOMcheck.net](https://www.bomcheck.net)



Item description

Short description:

The 855 Series Plug-In Current Transformers are inductive, single-conductor current transformers. Due to the measurement principle used, these current transformers are exclusively designed for AC network applications.

Features:

- Screwless CAGE CLAMP® connection technology
- Several mounting options available
- Vibration- and shock-resistant
- High mechanical retention forces
- High current-carrying capacity
- Continuous overload of 120 % the nominal primary current
- Low-voltage current transformer for operating voltages up to max. 1.2 kV
- Can be used in 690 V power networks
- UL recognized components

Data**Technical Data****Input – current transformer**

Primary rated current	200 A
Rated continuous thermal current I_{cth}	$1.2 \times I_N$
Rated short-time thermal current I_{th}	$60 \times I_N / 1 \text{ s}$ (max. 100 kA / 1 s)
Overcurrent limiting factor	FS5 / FS10 (type dependent, see type plate inscription)
Rated frequency	50 ... 60 Hz

Output – Current transformer

Highest voltage for equipment U_m	$1.2 \text{ kV}_{rms} \text{ AC}$
Secondary rated current	1 A
Rated power S_r	5 VA

Measurement error

Accuracy class	1
----------------	---

Safety and protection:

Highest voltage for equipment U_m	$\text{AC } 1.2 \text{ kV}_{rms}$
Test voltage	$\text{AC } 6 \text{ kV}; 50 \text{ Hz}; 1 \text{ min}$

Connection data

Connection technology	CAGE CLAMP®
Solid conductor	0.08 ... 4 mm ² / 28 ... 12 AWG
Fine-stranded conductor	0.08 ... 4 mm ² / 28 ... 12 AWG
Strip length	9 ... 10 mm / 0.35 ... 0.39 inch

Geometrical Data

Width	60 mm / 2.362 inch
Height	80.9 mm / 3.185 inch
Depth	52 mm / 2.047 inch

Mechanical data

Type of mounting	Current transformers (closed) Secured to mounting plate Mounting on carrier rail via carrier rail adapter Mounting on round cable
------------------	--

Material Data

Insulation class	E
Weight	230 g

Environmental Requirements

Surrounding air (operating) temperature	-5 ... 50 °C
Surrounding air (storage) temperature	-25 ... 70 °C
Max. operating altitude	1000 m

Standards and specifications

Conformity marking	1
Standards/specifications	EN 61869-1; EN 61869-2; UL: E356480


Commercial data

Country of origin	DE
GTIN	4050821616894
Customs Tariff No.	85043129900

Approvals / Certificates








UL-Approvals

Certificate

Logo	Approval	Additional Approval Text	name
	UL Underwriters Laboratories Inc.	C51.13	E356480

Compatible products


General accessories

	Item no.: 2007-8873 Compact terminal block; for current and voltage transformers	2007-8873
	Item no.: 2007-8874 Compact terminal block; for current and voltage transformers	2007-8874
	Item no.: 2007-8875 Compact terminal block; for current transformer circuit	2007-8875
	Item no.: 2007-8876 Compact terminal block; for 3-phase current transformer circuit	2007-8876
	Item no.: 2007-8877 Compact terminal block; for current transformer circuit	2007-8877
	Item no.: 2857-570/024-001 3-Phase Power Measurement Module; 3x400/690 V/1 A; Modbus RTU; Digital output; Configuration via software; Supply voltage: 24 VDC	2857-570 /024-001
	Item no.: 857-550 Current signal conditioner; Current input signal; Current and voltage output signal; Digital output; Configuration via software; Supply voltage: 24 VDC; 6 mm module width	857-550

assembling

	Item no.: 855-9900 Carrier rail adapter	855-9900
	Item no.: 855-9910 Quick-mount kit	855-9910

tools

	Item no.: 210-720 Operating tool with partially insulated shaft; Type 2, blade (3.5 x 0.5) mm	210-720
--	---	---------

Downloads

Documentation

Instruction Leaflet

Bushing Type Current Transformer	pdf 1.5 MB	Download
----------------------------------	---------------	----------



Additional Information

Disposal; Electrical and electronic equipment, Packaging	V 1.0.0	pdf 265.8 kB	Download
--	---------	-----------------	----------

Engineering-Software

Software for Interface-Products

Interface Configuration Software FULL The full setup, in addition to the WAGO Interface Configuration Software, includes the installation for the Microsoft .NET Framework.	1.6.2.11 Jan 14, 2019	exe 97.5 MB	Download
--	--------------------------	----------------	----------

Interface Configuration Software SMALL The full setup only includes the WAGO Interface Configuration Software.	1.6.2.11 Jan 14, 2019	exe 47.1 MB	Download
---	--------------------------	----------------	----------

CAD/CAE - Smart Data

CAD data

3D Download 855-301/200-501		URL	Download
-----------------------------	--	-----	----------

Subject to changes.