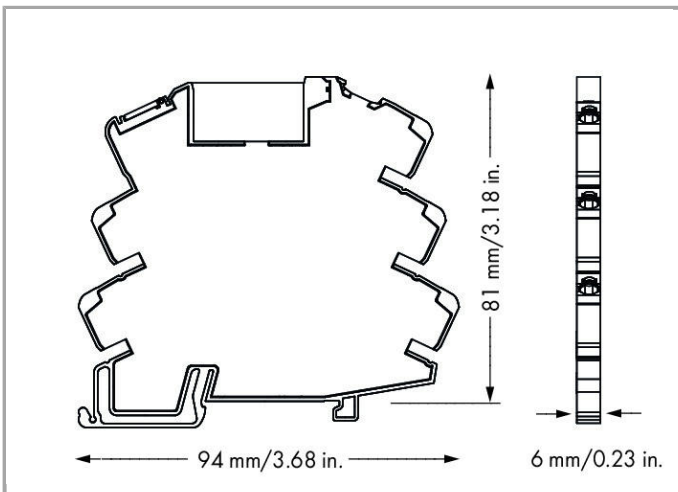
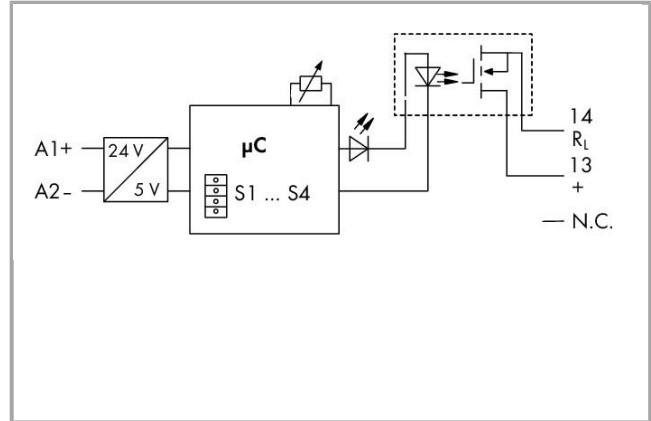
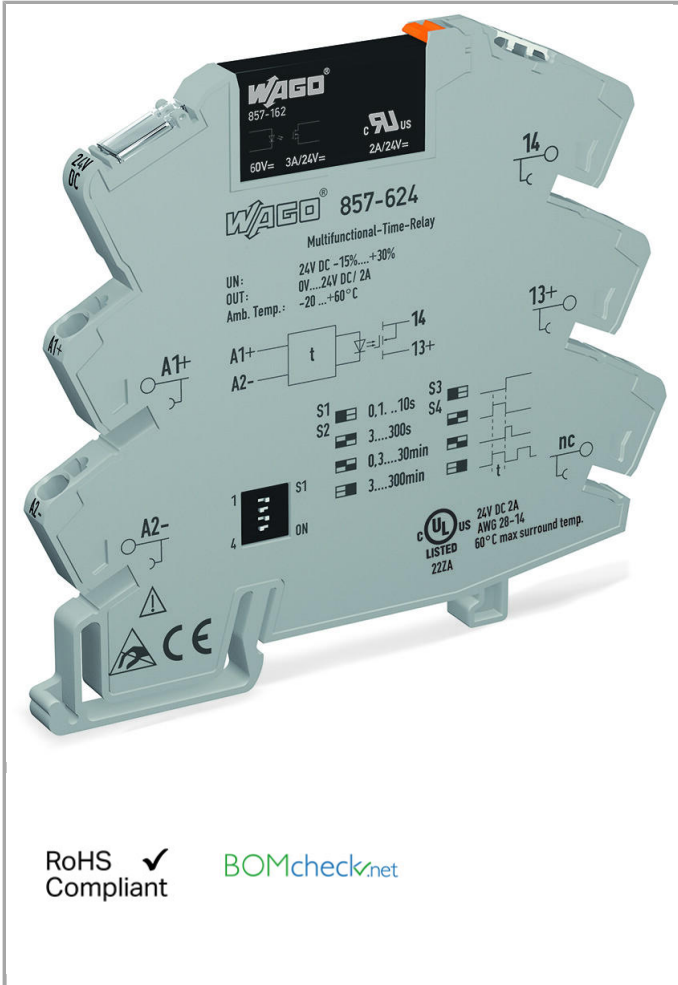


Data sheet | Item number: 857-624



Solid-state timer relay module; Nominal input voltage: 24 VDC; Output voltage range: 0 ... 24 VDC; Limiting continuous current: 2 A; 2-wire connection; Multifunction/Multitime; Yellow status indicator; Module width: 6 mm



Item description

Features:

- 4 functions
- Function and time range adjustable via DIP switch

Data

Technical Data

Control circuit

Nominal input voltage U_N	DC 24 V
Input voltage range	-15 ... +30 %
Nominal input current at U_N	9.15 mA
Time range	adjustable: 0.1 ... 10 s; 3 ... 300 s; 0.3 ... 30 min; 3 ... 300 min
Reset time	50 ms
Repeat accuracy	1 %
Functions	On-delay Single-shot leading edge On-delay and single-shot leading edge (1 s fixed) Blinking

Load circuit:

Circuit type	2-conductor termination
Limiting continuous current	2 A
Output voltage range	DC 0 ... 24 V
Max. voltage drop at output	≤ DC 0.12 V
Turn-on time	≤ 100 μs
Drop-out time	≤ 2 ms

Signaling

Status indication	LED yellow
-------------------	------------

Safety and protection:

Dielectric strength, control/load circuit (AC, 1 min)	3.75 kVrms
Protection class	IP20

Connection data

Connection technology	Push-in CAGE CLAMP®
Solid conductor	0.34 ... 2.5 mm ² / 22 ... 14 AWG

Fine-stranded conductor	0.34 ... 2.5 mm ² / 22 ... 14 AWG
Strip length	9 ... 10 mm / 0.35 ... 0.39 inch

Geometrical Data

Width	6 mm / 0.236 inch
Height from upper-edge of DIN-35 rail	81 mm / 3.189 inch
Depth	94 mm / 3.701 inch

Mechanical data

Type of mounting	DIN-35 rail
------------------	-------------

Material Data

Fire load	0 MJ
Weight	29.477 g

Environmental Requirements

Surrounding air (operating) temperature at U _N	-20 ... 60 °C
Surrounding air (storage) temperature	-40 ... 70 °C
Processing temperature	-25 ... +50 °C

Standards and specifications


Standards/specifications	EN 61812-1; EN 61373; EN 50121-3-2
--------------------------	------------------------------------

Commercial data

Product Group	6 (Interface Electronics)
Country of origin	DE
GTIN	4050821565680

Approvals / Certificates

UL-Approvals

Logo	Approval	Additional Approval Text	Certificate name
	UL UL International Netherlands B.V. (ORDINARY LOCATIONS)	UL 508	E175199 Sec.4