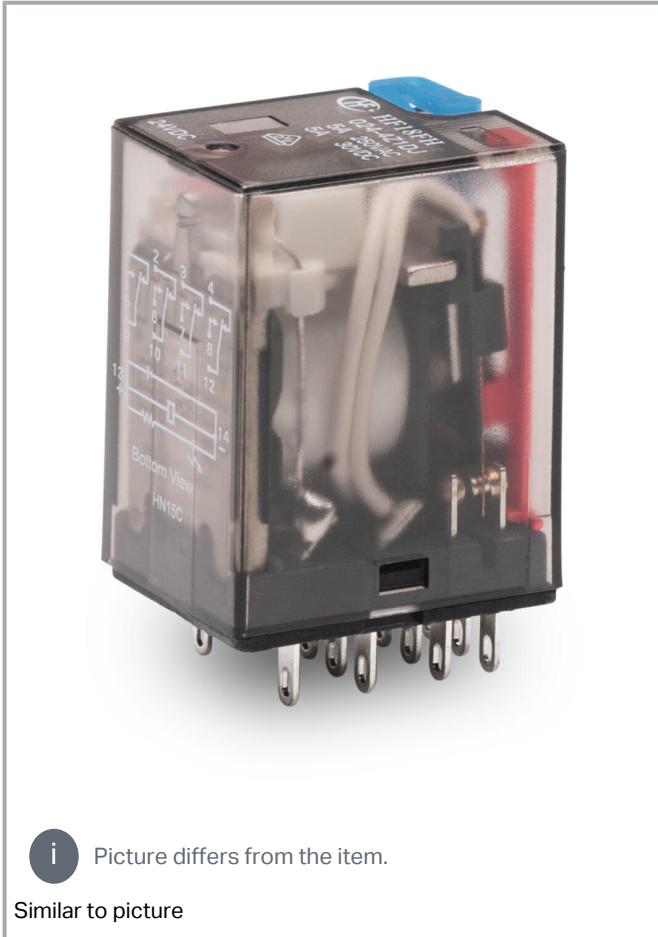


**Data sheet | Item number: 858-189**

Basic relay; Nominal input voltage: 230 VAC; 2 changeover contacts;  
Limiting continuous current: 12 A; with manual operation; Module width: 22  
mm

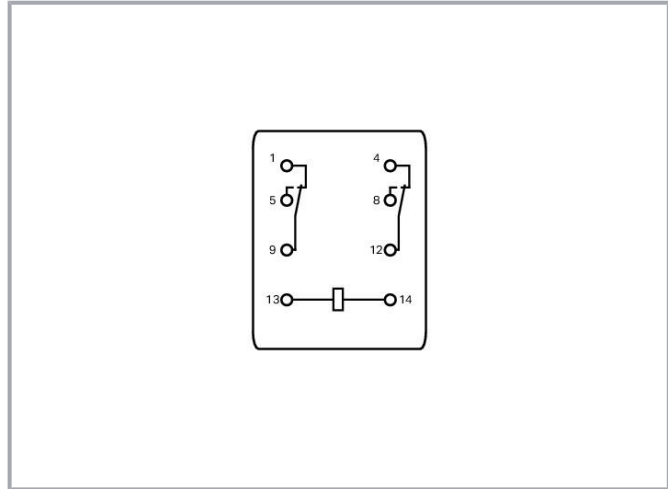


[www.wago.com/858-189](http://www.wago.com/858-189)



**i** Picture differs from the item.

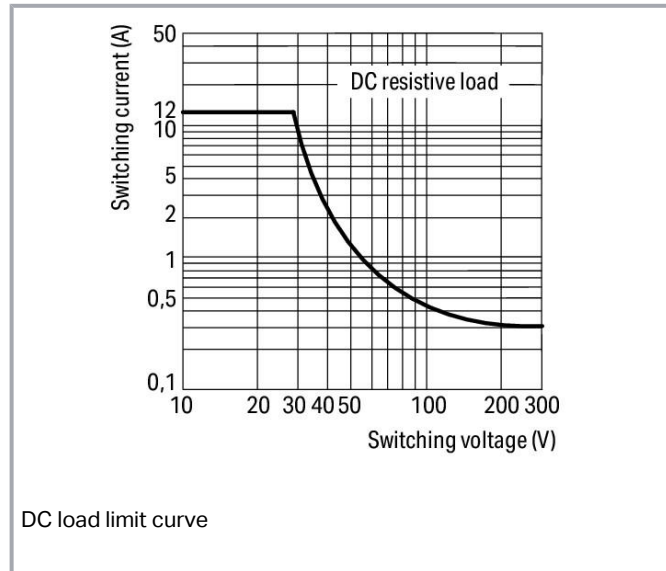
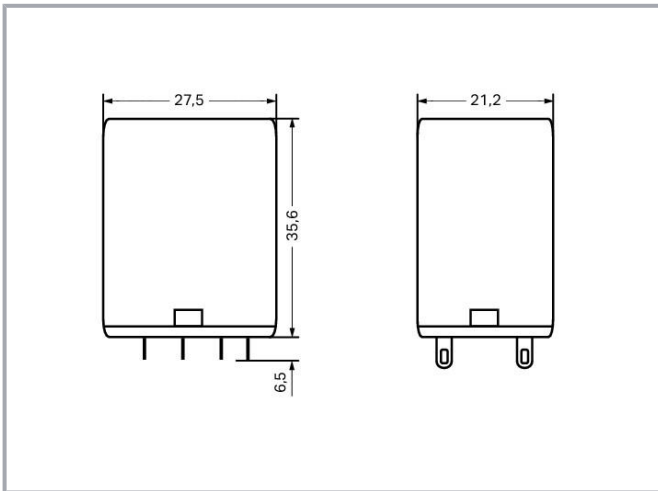
Similar to picture



Subject to changes. Please also observe the further product documentation!

WAGO Corporation  
Germantown, WI 53022  
Phone: 1-800-DIN-RAIL (346-7245) | Fax: (262) 255-6222  
Email: [info.us@wago.com](mailto:info.us@wago.com) | Web: [www.wago.us](http://www.wago.us)

Do you have any questions about our products?  
We are always happy to take your call at (262) 255-6222 or 1 800-DIN-RAIL.



## Data

### Technical data

### Control circuit

Nominal input voltage $U_N$	AC 230 V
Nominal input current at $U_N$	11 mA

### Load circuit

Number of changeover contacts	2
Contact material (relay)	AgNi
Limiting continuous current	12 A
Inrush current (resistive) (max.)	(AC) 24 A / 4 s
Switching voltage (max.)	AC 250 V
Switching power (resistive) (max.)	AC 3000 VA; DC (see load limit curve)
Switching capacity	AC-15: 1.5 A / AC 240 V; DC-13: 0.1 A / DC 250 V
Recommended minimum load	10 V / 5 mA / 300 mW
Pull-in time (typ.)	10 ms
Drop-out time (typ.)	8 ms
Electrical life (NO; resistive load; 23 °C)	100 x 10 <sup>3</sup> switching operations
Mechanical life	20 x 10 <sup>6</sup> switching operations
Switching frequency with/without load (max.)	

Subject to changes. Please also observe the further product documentation!

20 min<sup>-1</sup> / 200 min<sup>-1</sup>

## Signaling

Status indicator	Red LED Mechanical
------------------	-----------------------

## Safety and protection

Dielectric strength, control/load circuit (AC, 1 min)	2.5 kVrms
Dielectric strength, open contact (AC, 1 min)	1.5 kVrms
Dielectric strength, load/load circuit (AC, 1 min)	2.5 kVrms
Protection type	IP20

## Physical data

Width	21.2 mm / 0.835 inch
Height from the surface	35.6 mm / 1.402 inch
Depth	27.5 mm / 1.083 inch

## Mechanical data

Mounting type	Pluggable module
---------------	------------------

## Material data

Weight	31.5 g
--------	--------

## Environmental requirements

Surrounding air temperature (operation at U <sub>N</sub> )	-40 ... 55 °C
Surrounding air temperature (storage)	-40 ... 85 °C

## Standards and specifications

Standards/Specifications	EN 61810-1
--------------------------	------------

## Commercial data

Packaging type	BOX
Country of origin	DE
GTIN	4055143693264
Customs tariff number	8536490080

Subject to changes. Please also observe the further product documentation!

WAGO Corporation  
Germantown, WI 53022  
Phone: 1-800-DIN-RAIL (346-7245) | Fax: (262) 255-6222  
Email: [info.us@wago.com](mailto:info.us@wago.com) | Web: [www.wago.us](http://www.wago.us)

Do you have any questions about our products?  
We are always happy to take your call at (262) 255-6222 or 1 800-DIN-RAIL.



## Downloads

### Documentation

#### Bid Text

858-189 X81 - Datei	Aug 24, 2020	xml 4.8 kB	Download
------------------------	--------------	---------------	----------

858-189 docx - Datei	Aug 24, 2020	docx 14.9 kB	Download
-------------------------	--------------	-----------------	----------

#### Additional Information

Disposal; Electrical and electronic equipment, Packaging	V 1.0.0	pdf 265.8 kB	Download
--	---------	-----------------	----------

## CAD files

### CAE data

ZUKEN Portal 858-189	URL	Download
----------------------	-----	----------

EPLAN Data Portal 858-189	URL	Download
---------------------------	-----	----------

### CAD data

2D/3D Models 858-189	URL	Download
----------------------	-----	----------

## Environmental Product Compliance

### Compliance Search

Environmental Product Compliance 858-189	URL	Download
--	-----	----------

Basic relay; Nominal input voltage: 230 VAC; 2 changeover contacts; Limiting continuous current: 12 A; with manual operation; Module width: 22 mm

## Installation Notes

Subject to changes. Please also observe the further product documentation!