

ONE LED

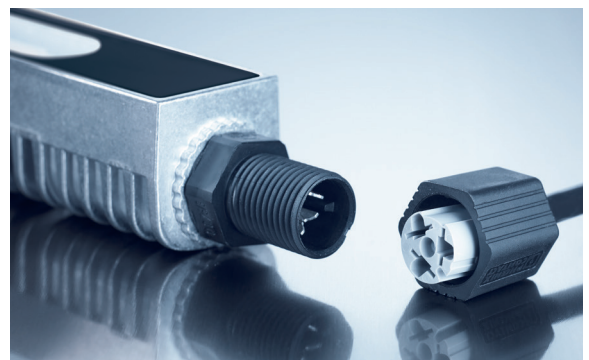
COMPACT LED FLOOD LIGHT

FEATURES:

- Housing size:
H 1.4" (36mm) x W 1.2" (30mm) x L 6.4" (163mm)
- Surface-mount LED flood light
- Latest LED chip-array technology
- Safety glass or PMMA acrylic lens
- Die-cast, heat-sink housing
- Easy to install and connect
- Available with mounting bracket
- 50,000 hours maintenance-free operation
- Designed to withstand difficult conditions
- Impervious to shock and vibration
- Ideal for small machining compartments

SPECIFICATIONS:

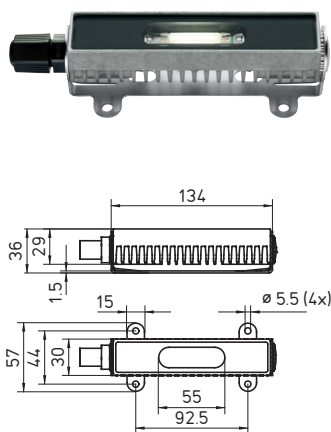
Voltage	20-28V DC
Lamping	LED
Operation	connect to external source
Color Temperature	5000K
Color Rendering Index (CRI)	65
Beam Angle	170°
Luminaire Material	pressure cast aluminum
Lens Material	borosilicate glass or acrylic lens
Power Consumption	6W
Protection Rating	IP67 (glass) or IP54 (acrylic)
Certification	CE, ETL/cETL
Cord/Plug	tool-free connector plug, no cord
Mounting	screws (not included)
Accessories	See page 67



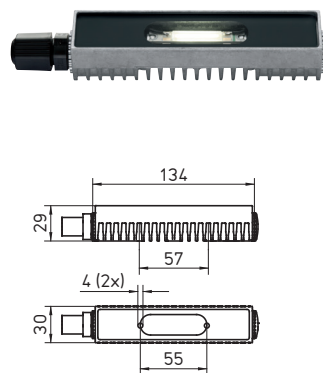
ONE LED was developed with the purpose of providing maximum light with a minimal, no-frills housing. Designed as an all-purpose, waterproof LED area light, ONE LED can be used in the most confined spaces. The luminaire body acts as a heat-sink to dissipate heat away from the beam direction. ONE LED provides maximum LED light output using the latest LED chip-array technology. Despite its minimal housing design, ONE LED can operate at ambient temperatures of up to 120°F. ONE LED is suitable for many industrial applications including printing presses, drill presses, machine compartments and production equipment with minimal space and high operating temperatures. The connection is fast and easy with the Quickon connection system. ONE LED is also resistant to shock, vibration and continuous impact so prevalent in production and manufacturing environments.



DIMENSIONAL DATA



ONE LED with bracket



ONE LED without bracket

Measurements in millimeters

ORDERING INFORMATION

Wattage	Lens Material	Mounting Bracket	Protection Rating	Lumens	Model	Part #
6W	PMMA acrylic	Not included	IP54	400	MVAL 1 S	112 887 024 - 000 760 49
6W	PMMA acrylic	Included	IP54	400	MVAL 1 S	112 887 027 - 000 760 50
6W	Borosilicate glass	Not included	IP67	400	MVAL 1 S	112 887 034 - 000 760 59
6W	Borosilicate glass	Included	IP67	400	MVAL 1 S	112 887 037 - 000 760 65

External Operating Devices	Max. Wattage	Input	Output	Part #
Required for 120-277V operation	17W	120-277V DC, 50/60Hz	24V DC	209 585 028
	20W	120-240V, 50/60Hz	24V DC	309 537 010 - 006 704 53
	50W	120V, 50/60Hz	24V DC	209 585 030
	75W	120-277V DC, 50/60Hz	24V DC	209 585 031