

TEVISIO

LED MAGNIFIER

FEATURES:

- 6" diameter wide-angle, scratch-resistant glass lens
- Spring-balanced arm for easy adjustments
- Available in 31" or 39" arm length versions
- Available in ESD versions
- 40% energy savings compared to fluorescents
- 50,000 hours maintenance-free LED life
- 100% to 10% dimming capability

SPECIFICATIONS:

Voltage	100-240V, 50/60Hz
Lamping	48 x LED
Operation	touch-panel on head
Magnification	3.5 diopters or 3.5d + 8d
Color Temperature	4000K
Color Rendering Index (CRI)	90
Luminaire Material	anodized aluminum
Lens Material	acrylic
Lens Dimension	6.3" diameter
Arm Reach	31" or 39"
Power Consumption	14W
Protection Rating	IP20
Certification	CE, ETL/cETL
Cord/Plug	12' cord w/ US plug
Mounting and accessories	See page 74



TEVISIO



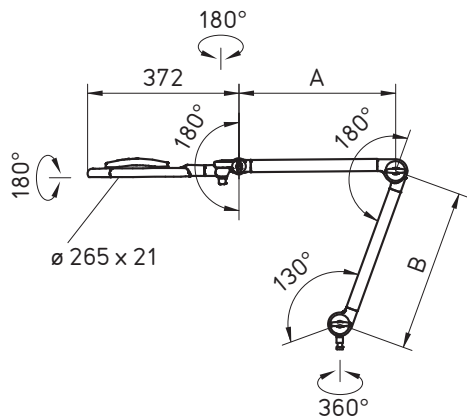
Add-x Lens



TEVISIO ESD

TEVISIO lives up to the high standards of the Waldmann product line. 48 premium LEDs illuminate a 6" wide-angle, distortion-free lens. Touch enabled dimming provides customization of the light output from 100% to 10%. Innovative balanced-arm technology (patent pending) allows for easy adjustment and precise positioning while six independent swivel joints turn the head up to 90 degrees in every direction. TEVISIO compares at 40% more efficient than conventional magnifier luminaires.

DIMENSIONAL DATA



Measurements in millimeters



ORDERING INFORMATION

Wattage	Version	Arm Reach	Magnification	Segment Switching	Lumens	Model	Part #
14W	Standard	31" (784mm)	3.5 diopters	No	600	RLLQ 48 R	112 919 000 - 005 873 35
14W	Standard	31" (784mm)	3.5 + 8 diopters	No	600	RLLQ 48 R	112 919 000 - 005 873 38
14W	Standard	31" (784mm)	3.5 diopters	Yes	600	RLLQ 48 2/R	112 919 000 - 005 873 41
14W	Standard	31" (784mm)	3.5 + 8 diopters	Yes	600	RLLQ 48 2/R	112 919 000 - 005 873 44
14W	Max	39" (988mm)	3.5 diopters	No	600	RLLQ 48 R	112 918 000 - 005 873 22
14W	Max	39" (988mm)	3.5 + 8 diopters	No	600	RLLQ 48 R	112 918 000 - 005 873 26
14W	Max	39" (988mm)	3.5 diopters	Yes	600	RLLQ 48 2/R	112 918 000 - 005 873 29
14W	Max	39" (988mm)	3.5 + 8 diopters	Yes	600	RLLQ 48 2/R	112 918 000 - 005 873 32
14W	ESD	31" (784mm)	3.5 diopters	No	600	RLLQ 48 R	113 016 000 - 005 953 84
14W	ESD	39" (988mm)	3.5 diopters	No	600	RLLQ 48 R	113 015 000 - 005 953 77

Mounting Options	Item	Dimensions	Part #
	Table clamp with pin mount (included)	0" - 3.5" span	191 025 069 40
	Universal base for table/wall	2.4" x 2.4"	204 090 019
	Table clamp, universal base required	2.5" - 5.4" span	190 033 019 - 000 149 50
	Wall bracket	3" x 3"	226 108 019 - 006 107 54
	Table clamp, ESD safe	0" - 3" span	190 100 029 - 000 890 21
	1/2" Pin mount adapter	1.77" length	US0 209 022
	1/2" Pin mount adapter	3.75" length	US0 209 012

Accessories	Item	Features	Part #
	Add-x magnifier	3.5 diopters (1.88X)	190 208 019 - 005 759 24
	Plug-in converter	100-240V w/quick disconnect	309 414 070 - 005 555 23