

Series 26 Modules Low-Water Cutoff – Plug-In Modules

- ▶ Powered Contacts
- ▶ Modular Plug-In Design
- ▶ Low Voltage Sensor
- ▶ 11-Pin Socket
- ▶ U.L. “Limit Control”
- ▶ Optional Dirty Electrode Detection
- ▶ Optional Manual Reset Button Feature.
- ▶ Optional Power Outage Feature Ignores Nuisance Outages and Resets When Power is Restored
- ▶ Solid State Reliability
- ▶ LED Monitoring
- ▶ Time Delays Available
- ▶ Meets CSD1 Requirements
- ▶ Optional Test Feature

Series 26M – General Purpose Control

Series 26M is designed for low-water cutoff protection. This control meets CSD1 requirements for boiler low water cutoff. Series 26M features powered contacts. If non-powered contacts are required, request information on Series 26NM.

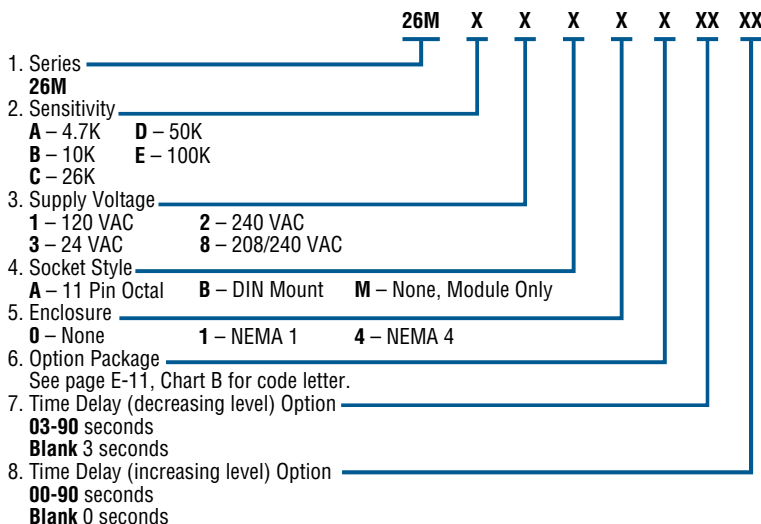
Specifications

Contact Design	1 N.O. & 1 N.C. (powered)
Contact Rating (24/120/240VAC)	10 amp Resistive 1/3 hp
Mode of Operation	Direct
Sensitivity	0 - 26K ohm, factory set
Primary Voltage	24 VAC, 120 VAC, 240 VAC ¹
Secondary Voltage	12 VAC
Temperature	-40°F to +150°F (-40°C to +65°C)
Approvals¹	U.L. 353 File # MP1430
Terminal Style	Screw connector
Options	Time Delays, Power Outage, Manual Reset, Test Feature, Dirty electrode detection; See page E-11 for descriptions

Notes:
1. 240 VAC and 208/240 VAC units do not carry U.L. Limit Control recognition.

How to Order

Use the **Bold** characters from the chart below to construct a product code.

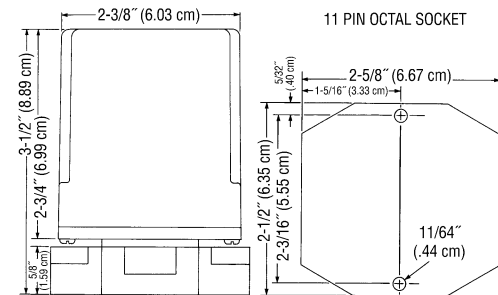


Series 26M

Applications

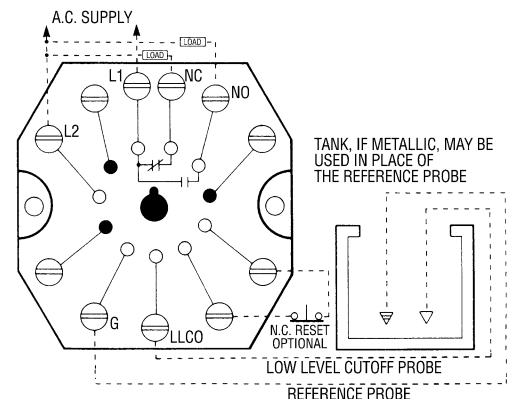
- Low-Water Cutoff
- Point Level
- Alarms

Dimensions



Note: Controls also available with DIN mount socket.

Wiring



Caution: Contacts are powered. If non-powered contacts are required, request information on Series 26NM.

Socket Details and Option Availability are located on web site.

Series 26 Low Water Cutoff – Standoff Mount

- ▶ Meets CSD1 Requirements
- ▶ Non Powered Contacts
- ▶ Time Delays Available
- ▶ LED Monitoring
- ▶ Test Feature
- ▶ AC Current Minimizes Electrolysis
- ▶ Snap-Thru Standoff Mounting
- ▶ Compact Size
- ▶ Power Outage Feature
- ▶ U.L. “Limit Control”

Series 26 – General Purpose Control

Designed for boiler low-water cutoff protection. A snap-through standoff mounting device is available for Series 26 units. Optional Power Outage feature resets after nuisance outages. Optional reset button is used when device has been deactivated because of low water condition. Reset is functional only if water has returned to normal level. Optional Test Feature available allows LLCO circuit to be tested without draining the water level in the boiler. Built-in 3 second time delay is standard. Up to 90 seconds available for increasing and decreasing levels.

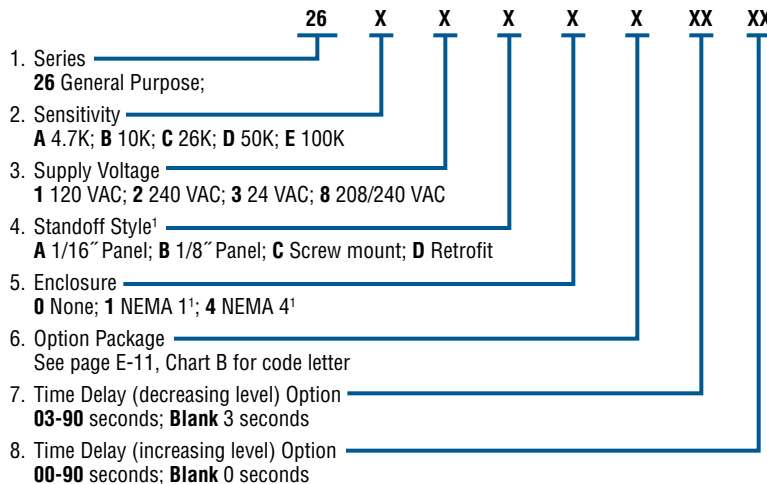
Specifications

Contact Design	1 N.O. & 1 N.C. (1 form C)
Contact Rating	10 amp Resistive 1/3 hp at 120, 240 VAC
Mode of Operation	Direct
Sensitivity	0-100K ohm, factory set
Primary Voltage	120 VAC, 240 VAC ¹ , 24 VAC, 208/240 VAC (+10%/-15%) 50/60 Hz
Secondary Voltage	12 VAC, 1.5 mA
Temperature	-40°F to +150°F (-40°C to +65°C)
Approvals¹	U.L. 353, U.L. 508 File # MP1430
Terminal Style	Spade connection
Options	Time Delays, Power Outage, Retrofit Plate, Test Feature, See page E-11 for descriptions

Notes:
1. 240 VAC and 208/240 VAC are not U.L. recognized

How to Order

Use the **Bold** characters from the chart below to construct a product code.



Notes:
1. Standoff Style **D** only.

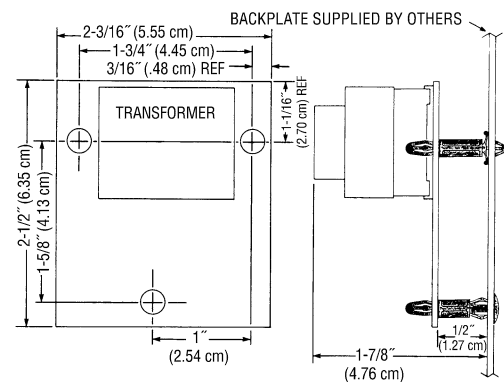
Socket Details and Option Availability are located on web site.



Applications

- Low-Water Cutoff
- Point Level
- Valve Control
- Single-Level Service
- Alarms
- Pump Control

Dimensions



Wiring

